

LUCCI NORDIC DC CEILING FAN

- **INSTALLATION**
- **OPERATION**
- **MAINTENANCE**
- **WARRANTY INFORMATION**

CAUTION
READ INSTRUCTIONS CAREFULLY FOR SAFE
INSTALLATION AND FAN OPERATION.

CONTENTS

GB	Installation Instruction Manual	2
D	Installationsanleitung	12
F	Guide d'installation.....	22
E	Manual de instrucciones de instalación.....	32
I	Manuale delle istruzioni di installazione.....	41
NL	Installatiehandleiding.....	51
EL	Εγχειρίδιο οδηγιών εγκατάστασης	61





CONGRATULATIONS ON YOUR PURCHASE

Congratulations on purchasing the latest in energy saving ceiling fans. This fan runs on DC (direct current) power which gives it the benefit of being super energy efficient whilst still maintaining high volume air-movement and silent operation.

Energy Saving - The DC motor is the latest technology in fan design. Its highly efficient motor saves up to 65% more energy than ceiling fans with traditional AC motors.

Silent operation – This DC fan motor is programmed with a stabilised current which efficiently reduces motor noise.

Low operating temperature – The DC power is managed effectively which brings down the motor operating temperature to less than 50°C. This results in a much cooler motor than a standard AC fan and increases the longevity of the motor.

6 speed remote control - Regular AC ceiling fans usually come with only 3 speeds, this DC fan comes complete with a 6 speed remote, which gives greater choice of comfort levels.

SAFETY PRECAUTIONS

1. In Europe: This appliance can be used by children aged from 8 years and above and persons with reduced physical, sensory or mental capabilities or lack of experience and knowledge if they have been given supervision or instruction concerning the use of the appliance in a safe way and understand the hazards involved. Cleaning and maintenance shall not be undertaken by children without supervision.
2. In Australia: The appliance is not intended for use by persons (including children) with reduced physical, sensory or mental capabilities, or lack of experience and knowledge, unless they have been given supervision or instruction concerning the use of the appliance by a person responsible for their safety.
3. Children should be supervised to ensure that they do not play with the appliance.
4. An all-pole disconnection switch must be incorporated into the fixed wiring, in accordance with local wiring rules.

IN AUSTRALIA

WARNING:

FOR SAFE USE OF THIS FAN AN ALL-POLE DISCONNECTION MUST BE INCORPORATED INTO THE FIXED WIRING IN ACCORDANCE WITH THE WIRING RULES.

As outline in clause 7.12.2 of AS/NZS 60335-1 for meeting the minimum electrical safety of this standard.

Please note warranty will be void if installation is without a means for an all-pole disconnection incorporated in the fixed wiring in accordance with




the wiring rules.

Example: If a fan is connected to a circuit that can be isolated via an all-pole safety switch at the switchboard, then this is considered to be an all-pole disconnection to the ceiling fan electrical circuit, meeting the requirements of clause 7.12.2 of AS/NZS 60335.1.

A single-pole switch on the active of the receiver input of remote control must also be included in the wiring, and located the same room as the ceiling fan.



5.  Do not dispose of electrical appliances as unsorted municipal waste, use separate collection facilities. Contact your local government for information regarding the collection systems available. If electrical appliances are disposed of in landfills or dumps, hazardous substances can leak into the groundwater and get into the food chain, damaging your health and well-being.
6. The structure to which the fan is to be mounted must be capable of supporting a weight of 30kg.
7. The fan should be mounted so that the blades are at least 2.3m above the floor in Europe or 2.1m above the floor in Australia.
8. This fan is suitable for indoor and alfresco areas where the fan is fully undercover with a minimum of 2 walls. This fan is not waterproof. When installed in an alfresco area, the ceiling fan must be positioned in a location protected from water, wind, dust and salt. Exposure to these elements will void the warranty. Mounting the fan in a situation where it is subject to water or moisture is dangerous
9. Only a licensed electrician should execute the installation.



PARTS LIST

Unpack your fan and check the contents. You should have the following:

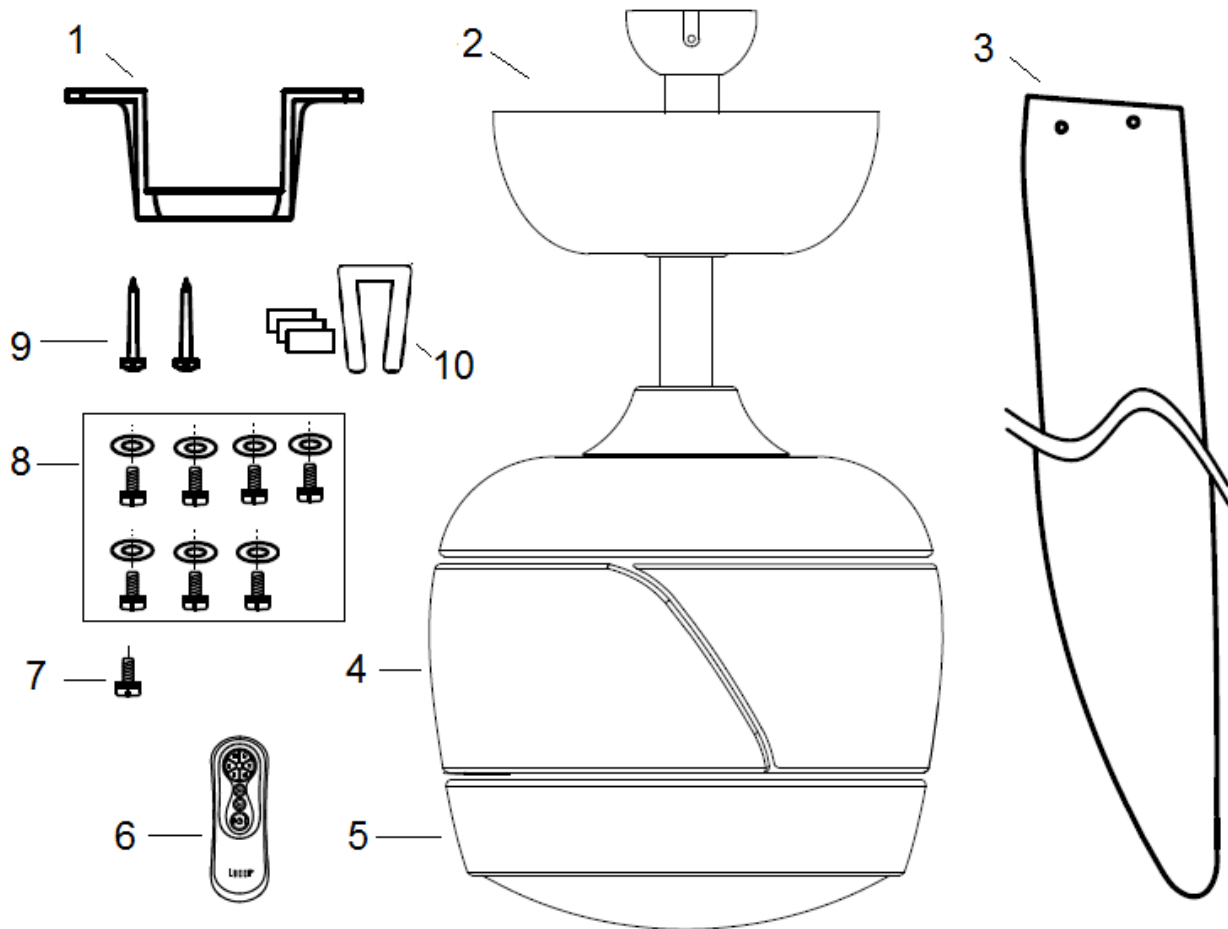


Fig. 1

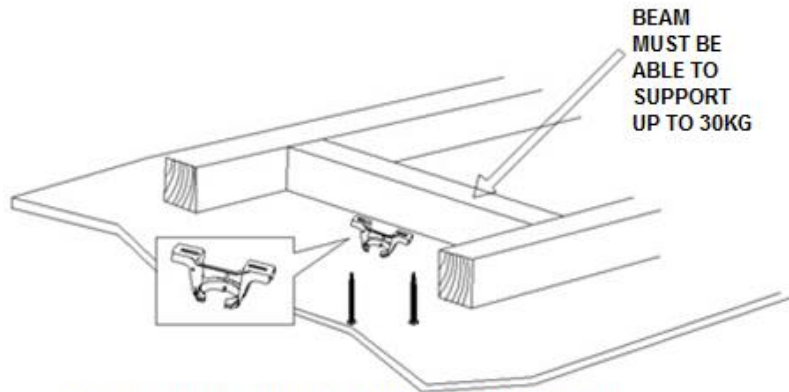
- | | | | |
|---|---|----|--|
| 1 | Mounting bracket x 1 | 6 | Remote transmitter with holder x 1 set |
| 2 | Fan assembly with hanger cover, down rod, canopy cover and canopy x 1 | 7 | Motor screw x 7 |
| 3 | Blade x 3 | 8 | Blade screws with flat washer x 7 |
| 4 | Blade holder x 3 | 9 | Wooden screw x 2 |
| 5 | Bottom cover x 1
LED light kit x 1 | 10 | Balancing kits x 1 set |



INSTALLING THE MOUNTING BRACKET

The ceiling fan must be installed in a location so that the blades are 300mm spacing from the tip of the blade to the nearest objects or walls.

Secure the hanging bracket to the ceiling joist or structure that is capable of carrying a load of at least 30kg, with two long screws provided. Ensure at least 30mm of the screw is threaded into the support.



NOTE: THIS PICTURE IS FOR REPRESENTATION ONLY AND DOES NOT REPRESENT THE ACTUAL BRACKET

Fig. 2

NOTE: The bracket screws provided are for use with wooden structures only. For structures other than wood, the appropriate screw type MUST be used.

ANGLED CEILING INSTALLATION

This fan hanging system supports a maximum 15 degree angled ceiling installation.

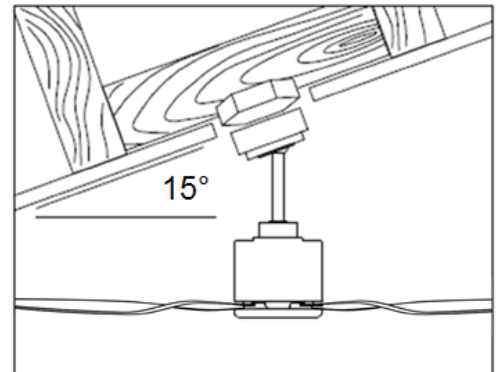


Fig. 3

HANGING THE FAN

Lift the fan assembly onto the mounting bracket. Ensure the registration slot (A) of the hanger ball is positioned on the stopper (B) of the mounting bracket (C) to prevent the fan from rotating when in operation. (Fig.4)

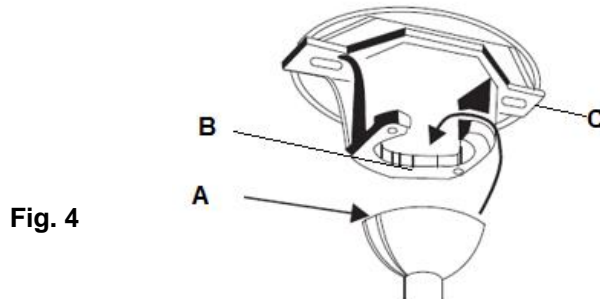


Fig. 4

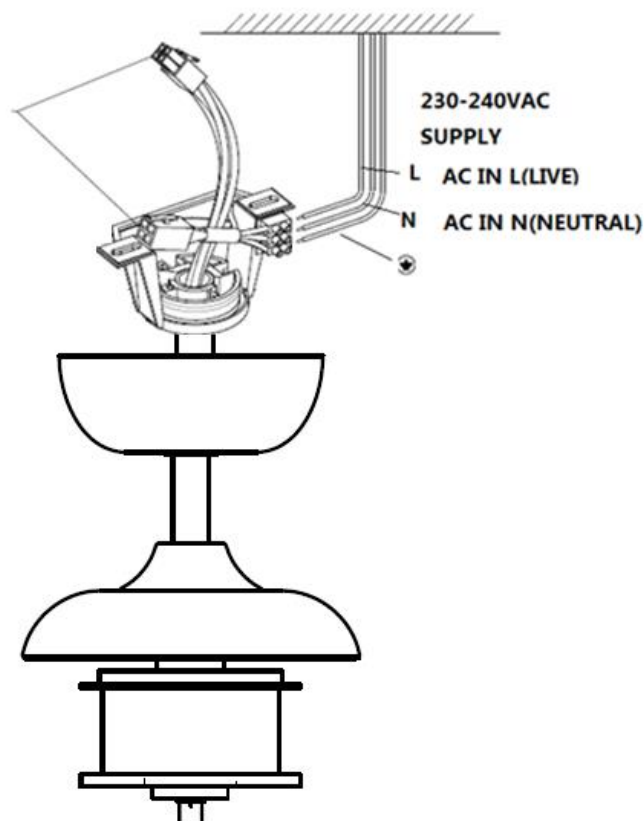
ELECTRICAL WIRING DIAGRAM

WARNING: FOR YOUR SAFETY ALL ELECTRICAL CONNECTIONS MUST BE UNDERTAKEN BY A LICENSED ELECTRICIAN.

NOTE: AN ADDITIONAL ALL POLE DISCONNECTION SWITCH MUST BE INCLUDED IN THE FIXED WIRING.

NOTE: IF THERE ARE TWO OR MORE DC CEILING FANS INSTALLED IN THE ONE LOCATION, AN SINGLE-POLE SWITCH IS REQUIRED FOR EACH CEILING FAN. THIS IS REQUIRED WHEN PROGRAMMING THE REMOTE AND RECEIVER TO PAIR TOGETHER.

Fig. 5

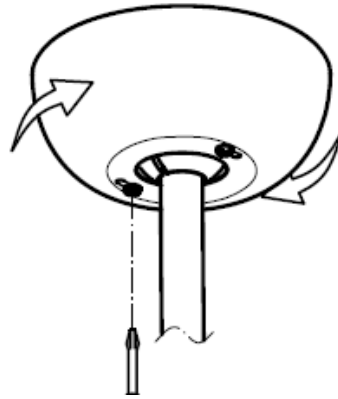


FINISHING THE INSTALLATION

INSTALL THE CANOPY

- Loosen the 2 screws from the bottom of the mounting bracket.
- Slide the canopy up to the mounting bracket and place the key hole on the canopy over the screw on the mounting bracket. Turn the canopy until it locks in place at the narrow section of the key holes and secure it by tightening the 2 set screws. Avoid damaging the electrical wiring prepared previously.

Fig. 6



BLADE INSTALLATION

- Loosen the 3 blade holders from motor.
- Secure the blade to the blade holder by tightening the 2 blade screws with washer. Fig.7
- Repeat to install the other blades to the blade holders.
- Install the blade assemblies to the motor by tightening the 2 motor screws. Fig.8
- Finally, install the bottom cover to the lamp bracket by rotating it clockwise. Fig.9

Fig. 7

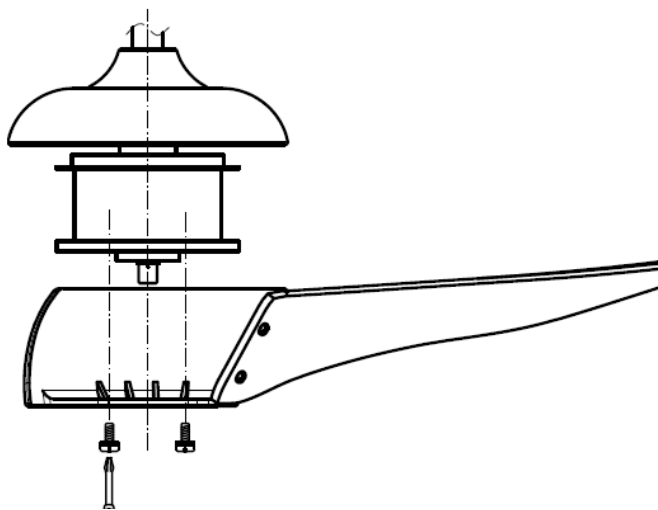
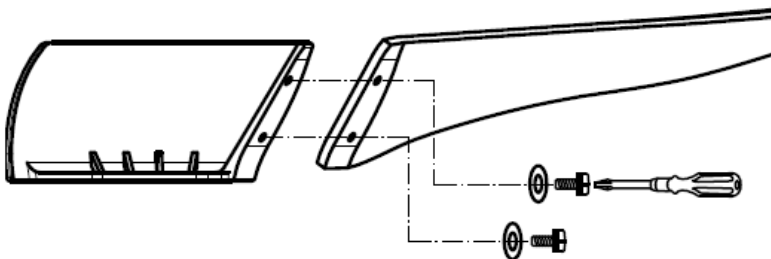


Fig. 8

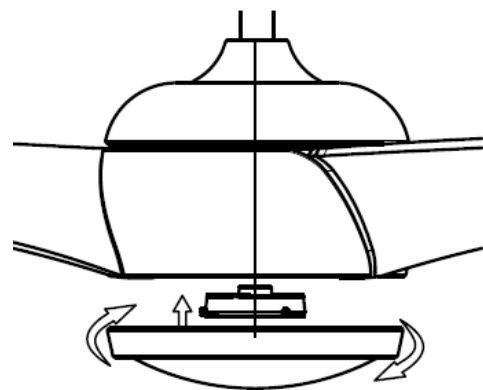


Fig. 9



LIGHT KIT INSTALLATION

1. Remove the bottom cover (1) from the body of the fan by rotating it anti-clock wise.
2. Remove the heat shrink insulation tube from connector 3 at fan body end.
3. Plug the connectors (3) together.
4. Attach the LED luminaire (4) to the light kit bracket (2) and secure by rotating it clockwise.

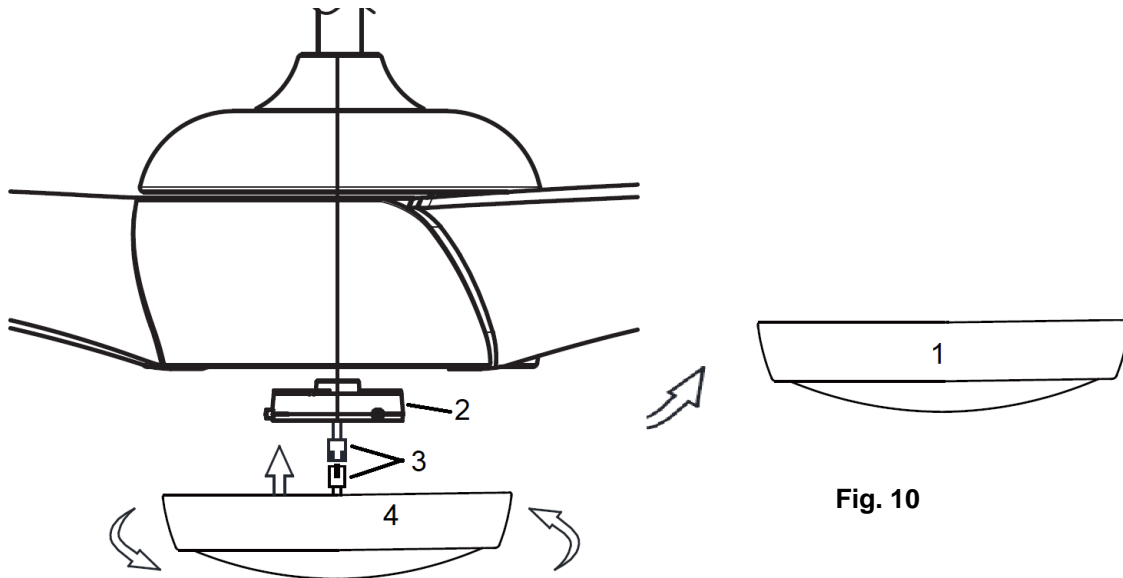


Fig. 10

USING YOUR CEILING FAN


Pairing Transmitter and Receiver – when 2 or more DC ceiling fans are installed in one location

When two or more fans are located near each other, you may want to have the receiver/transmitter for each fan set to a different code, so that the operation of one fan does not affect the operation of the other fan/s.

NOTE: Ensure that you have installed a single pole disconnection switch in the fixed wiring for each fan.

NOTE: Ensure power to the receiver is ON prior to pairing the transmitter with the receiver.

Transmitter / Receiver pairing for Ceiling fan 1:


- Turn OFF the mains supply to the receivers of both ceiling fans 1 and 2.
- Install the 3V DC battery in the compartment. Please make sure the polarity of the battery is correct. Fig.10
- Turn on the power to receiver 1. Keep the power OFF to receiver 2. (Each ceiling fan must have its own isolation switch, so that only the ceiling fan that needs to be paired with the transmitter will be ON).
- Press and hold the “” button of **transmitter 1** for 3-5 seconds within 60 seconds of switching the power ON to the receiver of ceiling fan 1.

The fan will move slightly and stop to indicate the paring process is activated.

If the fan has light kit attached, the light will flash on and off to indicate the paring process is activated.

- Turn ON and change the speed of the ceiling fan 1 by the transmitter to check the operation and successful paring.

Transmitter / Receiver pairing for Ceiling fan 2:

- Turn off the mains supply to the receivers of both ceiling fans 1 and 2.
- Install the 3V DC battery in the compartment. Please make sure the polarity of the battery is correct. Fig.10
- Turn on the power to receiver 2. Keep the power OFF to receiver 1. (Each ceiling fan must have its own isolation switch, so that only the ceiling fan that needs to be paired with the transmitter will be ON).
- Press and hold the “” button of **transmitter 2** for 3-5 seconds within 60 seconds of switching the power ON to the receiver of ceiling fan 2.

The fan will move slightly and stop to indicate the pairing process is activated.

If the fan has light kit attached, the light will flash on and off to indicate the pairing process is activated.

- Turn ON and change the speed of ceiling fan 2 by the transmitter to check the operation and successful pairing.

Note: The pairing of the transmitter and receiver is required if only one ceiling fan is installed. When more than two ceiling fans are installed near each other, please refer to the instruction above.

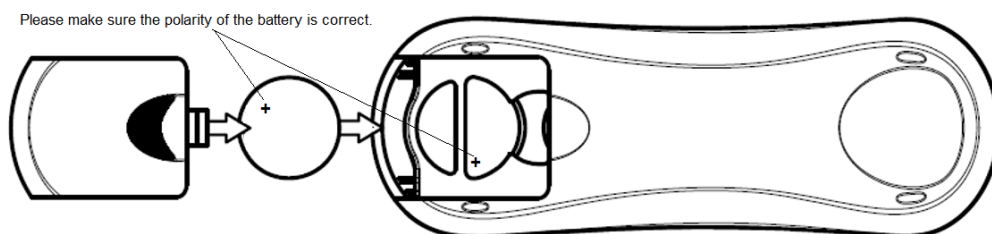


Fig. 11

Remote Control Buttons

1 - FAN SPEED CONTROL BUTTON:

There are 6 available speeds. “I” button is for the lowest speed, and “VI” button is for the fastest speed.

NOTE: when you turn on the fan for the first time or switch the main power to the controller, you need to start the fan on high “VI” speed first and then choose a lower speed. A 5-10 seconds is required to allow the DC fan to respond to the remote each speed or fan direction selections.

2 - FAN OFF BUTTON:

Press the button to turn the fan off.

3 - REVERSE FUNCTION BUTTON:

Press the button to activate the reverse running function. The fan must be operating to activate the reverse function.

4 - LIGHT CONTROL BUTTON:

Press the button to turn the light ON/OFF.

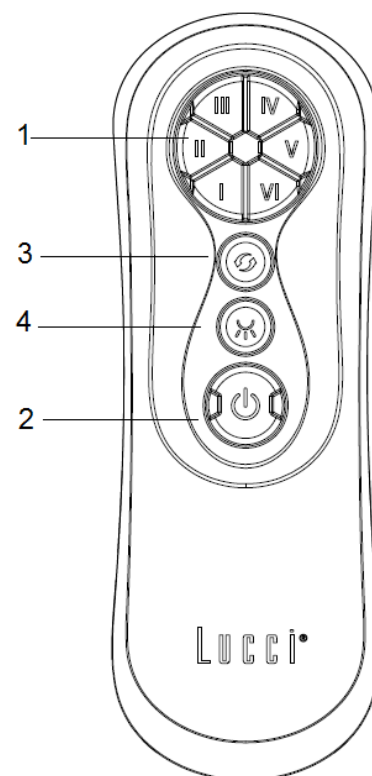


Fig. 12

THE RECEIVER PROVIDES THE FOLLOWING LEVEL OF PROTECTION:

- Lock position: the receiver has a built in safety feature to protect against obstruction during operation. The motor will be locked from operation and will disconnect from power after 30 seconds of interruption. Please remove obstacles before re-starting. To reset, simply turn off the power supply to the fan motor and re-start.
- Over 80W protection: when the receiver detects power consumption which is greater than 80W, the receiver power will be stopped and operation will immediately discontinue. Turn the receiver power on after 5 seconds to restart the fan.


REPAIRING THE FAN RECEIVER & REMOTE PAIRING

Should the remote and receiver lose control after installation or during use, the pairing of the remote and the receiver must be repaired. Below are the operating symptoms and method to repair the pairing of the DC ceiling fan remote and receiver.

Issues:

- Loss of control - Fan is only running at high speed after installation
- Loss of control - No reverse function after installation
- Loss of control - Remote cannot communicate with receiver

Solution:

- A. Switch OFF the main power to ceiling fan for 30 seconds.
- B. Press and hold the  button on **transmitter** for 3—5 seconds within 60 seconds of switching the power ON to the receiver of the ceiling fan.
- C. Turn ON and change the speed of the ceiling fan via the transmitter to check the operation and successful pairing.

AFTER INSTALLATION

WOBBLE:

NOTE: ceiling fans tend to move during operation due to the fact that they are mounted on a rubber grommet. If the fan was mounted rigidly to the ceiling it would cause excessive vibration. Movement of a few centimetres is quite acceptable and DOES NOT suggest any problem.

TO REDUCE THE FAN WOBBLE: Please check that all screws which fix the mounting bracket and down rod are secure.

BALANCING KIT: A balancing kit is provided to balance the ceiling fan on initial installation. Please refer to the instruction on how to use the balancing kit. The balancing kit can be used to assist re-balancing should the ceiling fan become unbalanced again. Store your balancing kit away after installation for future use if required.

NOISE:

When it is quiet (especially at night) you may hear occasional small noises. Slight power fluctuations and frequency signals superimposed in the electricity for off-peak hot water control, may cause a change in fan motor noise. This is normal. Please allow a 24-hour “breaking-in” period, most noises associated with a new fan disappear during this time. All electric motors are audible to some extent. Please note that this is not a product fault, and as such is not covered under warranty.

CARE AND CLEANING:

- Periodic cleaning of your ceiling fan is the only maintenance required. Use a soft brush or lint free cloth to avoid scratching the paint finish. Please turn off electricity power when you do so.
- Do not immerse your ceiling fan in the water. It could damage the motor or the blades and create the possibility of an electrical shock.
- Ensure that the fitting does not come in contact with any organic solvents or cleaners.
- To clean the fan blade, wipe with only a damp clean cloth with NO organic solvents or cleaners.
- The motor has a permanently lubricated ball bearing so there is no need to oil.

NOTE: Always turn OFF the power at the mains switch before attempting to clean your fan.

TECHNICAL INFORMATION

FAN models	Rated Voltage	Rated power (motor)	Rated Power (Lamp)	Battery for remote
Nordic FAN	220-240VAC	35W	LED, 3000K, 20W	3V, CR2032

WARRANTY INFORMATION

IN AUSTRALIA / NEW ZEALAND – Please refer to the separate WARRANTY STATEMENT.

IN EUROPE – If you are a European customer please contact the retail outlet where the fan was purchased for warranty service.

D

HERZLICHEN GLÜCKWUNSCH ZUM ERWERB UNSERES DECKENVENTILATORS

Wir beglückwünschen Sie zum Kauf des derzeit modernsten und energieeffizientesten Deckenventilators. Dieser wird durch Gleichstrom betrieben, wodurch er Energie spart und gleichzeitig einen hohen Grad an Ventilation bietet sowie geräuschlos arbeitet.

Energieeinsparung: Der Gleichstrommotor ist die neueste Ventilatorentechnologie und hocheffizient. Durch ihn sparen Sie bis zu 65% mehr Energie als mit herkömmlichen Gleichstrommotoren für Deckenventilatoren.

Geräuschloser Betrieb: Dieser Gleichstrommotor wird mit einer stabilisierten Gleichspannung versorgt, wodurch das Motorengeräusch effektiv reduziert wird.


Niedrige Betriebstemperatur: Durch die effektive Handhabung des Gleichstroms kann die Betriebstemperatur des Motors auf unter 50 Grad gebracht werden.

Fernbedienung mit 6 Ventilatorgeschwindigkeiten: Herkömmliche Deckenventilatoren bieten nur 3 Geschwindigkeitslevel an. Unser Gleichstromventilator hingegen bietet 6 über eine Fernbedienung einstellbare Geschwindigkeitslevel und damit eine größere Auswahl und mehr Komfort für Sie.

SICHERHEITSHINWEISE

- 1) Europa: Dieses Gerät darf nur von Kindern in einem Alter von 8 Jahren und darüber sowie von Personen mit eingeschränkten körperlichen, geistigen oder sensorialen Fähigkeiten oder mangelnder Erfahrung und Wissen nur unter Aufsicht verwendet werden, oder nachdem diese Anweisungen über die sichere Verwendung des Gerätes erhalten haben und die Risiken verstehen. Das Säubern und die Instandhaltung darf von Kindern nur unter Aufsicht vorgenommen werden.
- 2) Australia: This appliance is not intended for use by young children or infirm persons unless they have been adequately supervised by a responsible person to ensure that they can use the appliance safely.
- 3) Kinder müssen beaufsichtigt werden, um sicher zu gehen, dass sie nicht mit dem Gerät spielen.
- 4) Eine allpolige Abschaltung muss gemäß den Verkabelungsvorgaben in die feste Verkabelung integriert sein.



- 5)  Entsorgen Sie elektrische Geräte nicht als unsortierten Restmüll, sondern nutzen Sie separate Sammelvorrichtungen. Erkundigen Sie sich bei Ihrer Gemeindeverwaltung über mögliche verfügbare Sammelsysteme. Wenn elektrische Geräte auf Mülldeponien entsorgt werden, besteht die Gefahr, dass Gefahrstoffe in das Grundwasser und somit in Nahrungskette entweichen, was Ihrer Gesundheit und Ihrem Wohlbefinden schaden kann.
- 6) Die Vorrichtung, an welcher der Ventilator angebracht wird, sollte mindestens 40kg Gewicht tragen können.
- 7) Für Europa: Der Ventilator sollte so angebracht sein, dass seine Rotorblätter mindestens **2,3** Meter vom Fußboden entfernt sind.
- 8) Für Australien: Der Ventilator sollte so angebracht sein, dass seine Rotorblätter mindestens **2,1** Meter vom Fußboden entfernt sind.
- 9) Dieser Ventilator ist für Innen- sowie Außenbereiche geeignet, solange er komplett überdacht und von mindestens zwei Wänden umgeben ist. Der Deckenventilator muss an einer Stelle angebracht werden, an der er vor Wasser, Wind, Staub und Salz geschützt ist. Die Garantie verliert ihre Gültigkeit, wenn das Produkt diesen Elementen ausgesetzt wird. Die Montage des Ventilators in einer Situation, in der er nass oder feucht werden könnte, ist gefährlich.
- 10) Nur konzessionierte Elektriker dürfen die Installation durchführen.

LISTE DER BESTANDTEILE

Entnehmen Sie den Ventilator aus der Verpackung und überprüfen Sie, ob alle Bestandteile vorhanden sind. Diese sollten Folgendes beinhalten:

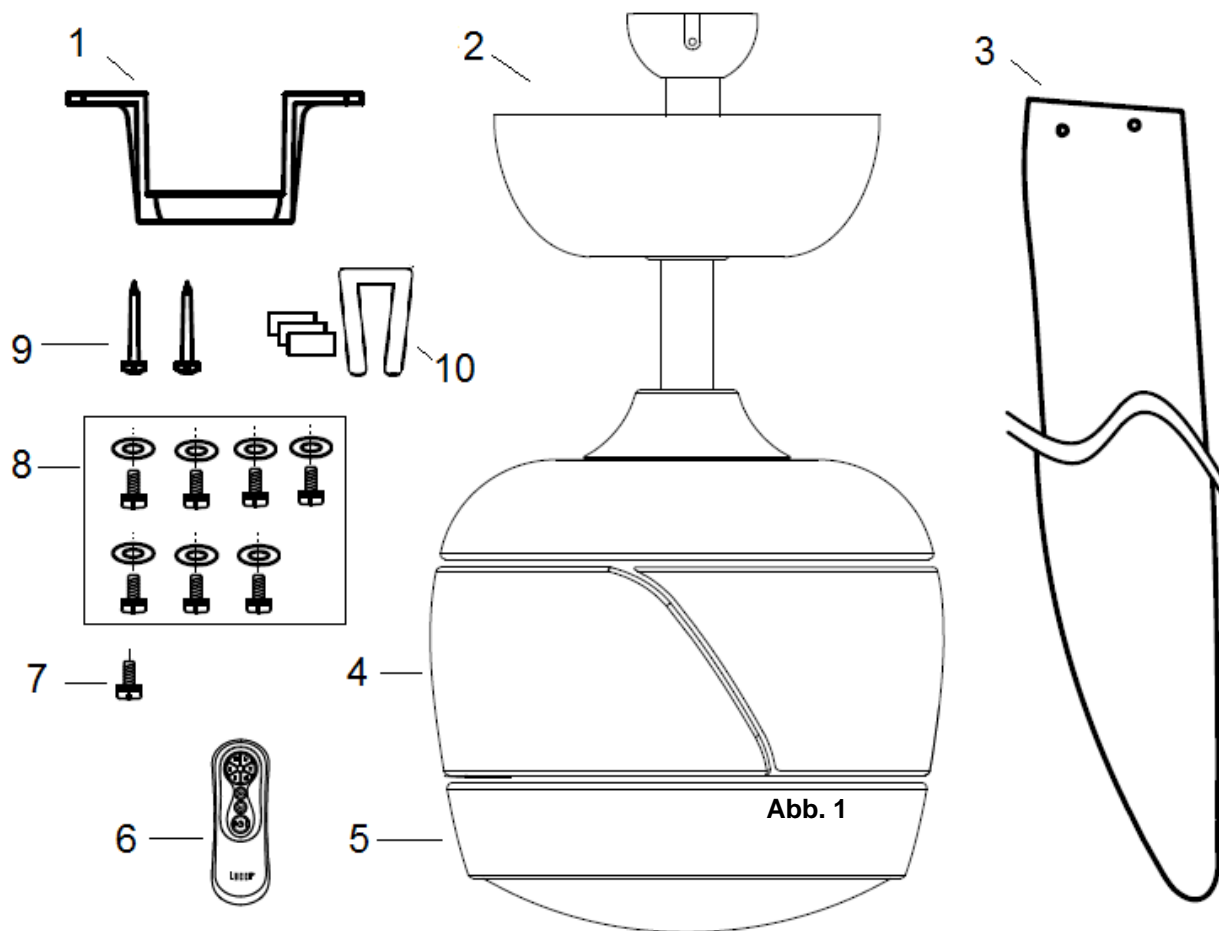


Fig. 1

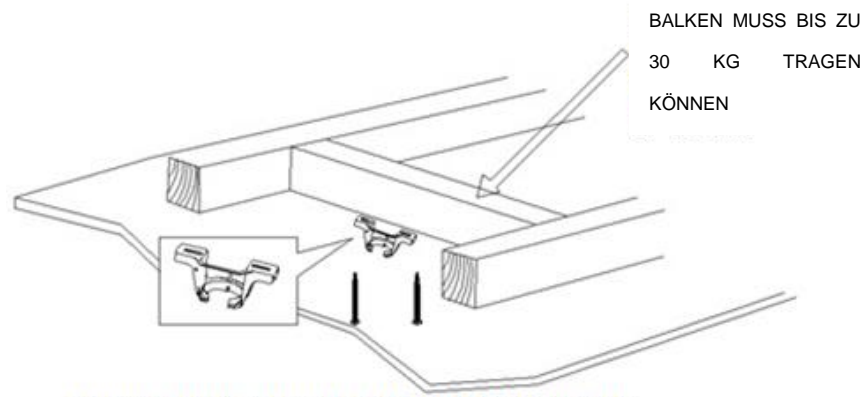
- | | | | |
|---|--|----|--|
| 1 | Halterung x 1 | 6 | Fernbedienung mit Halterung x 1 Set |
| 2 | Ventilatoreinheit mit Aufhängerabdeckung, Haltestange, Baldachin-Abdeckung und Baldachin x 1 | 7 | Motorschraube x 7 |
| 3 | Rotorblätter x 3 | 8 | Rotorblattschrauben mit Unterlegscheiben x 7 |
| 4 | Rotorblatthalter x 3 | 9 | Holzschrauben x 2 |
| 5 | Untere Abdeckung x 1
LED-Licht-Set x 1 | 10 | Auswuchtelemente x 1 Satz |



INSTALLATION DER HALTERUNG

Der Deckenventilator muss so angebracht sein, dass zwischen der Spitze eines jeden Rotorenblattes und der Wand oder dem nächstgelegenen Objekt ein Abstand von mindestens 300mm besteht.

Bringen Sie den Decken-Befestigungswinkel mit den zwei langen beigelegten Schrauben am Deckenbalken oder einer alternativen Deckenvorrichtung, die mindestens 30kg tragen kann, an. Achten Sie darauf, dass die Schrauben mindestens 30mm in die Halterung hineingedreht werden.



BITTE BEACHTEN SIE: DIESES BILD DIEN T NUR ZUR VERANSCHAULICHUNG UND ZEIGT NICHT DIE EIGENTLICHE HALTERUNG.

Abb. 2

BITTE BEACHTEN SIE: Die beigelegten Halterungsschrauben sind nur zur Verwendung an Holzstrukturen geeignet. Für andere Strukturen MUSS die geeignete Schraubenart verwendet werden.

INSTALLATION AN WINKELFLÄCHEN

Das Aufhängesystem des Ventilators unterstützt eine Installation an Deckenwinkelflächen von maximal 15 Grad Neigung.

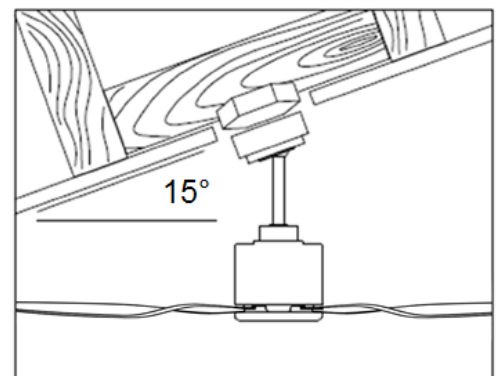


Abb. 3



AUFHÄNGUNG DES VENTILATORS

Setzen Sie die Ventilatoreinheit auf die Halterung auf. Stellen Sie sicher, dass die Führungsslitze des Kugelgelenks auf die Anschlagstifte der Halterung ausgerichtet sind, wodurch ein Verdrehen des Ventilators während des Betriebs verhindert wird. (Abb.4)

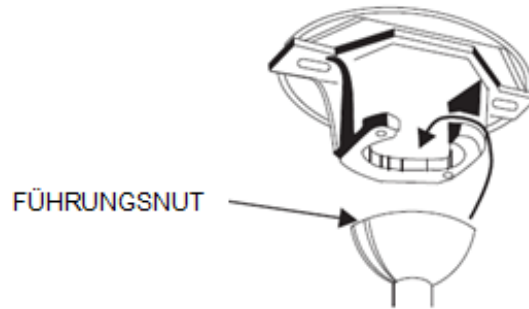


Abb. 4

DIE INSTALLATION DER ELEKTRISCHEN LEITUNGEN VORBEREITEN UND DURCHFÜHREN

WARNUNG: ALLE ELEKTRISCHEN ANSCHLÜSSE DÜRFEN ZU IHRER EIGENEN SICHERHEIT NUR DURCH EINEN KONZESSIONIERTEN ELEKTRIKER VORGENOMMEN WERDEN.

BITTE BEACHTEN SIE: IN DIE FESTE VERLEGUNG DER KABEL MUSS ZUSÄTZLICH EINE ALLPOLIGE ABSCHALTUNG INTEGRIERT SEIN. BITTE SCHALTEN SIE DEN HAUPTSCHALTER VOR INSTALLATION DER ELEKTRISCHEN LEITUNGEN AUS.

BITTE BEACHTEN SIE: WENN ZWEI ODER MEHR GLEICHSTROM-DECKENVENTILATOREN IN UNMITTELBARER NÄHE ZUEINANDER ANGEBRACHT SIND, MUSS FÜR JEDEN DECKENVENTILATOR EIN ISOLATIONSSCHALTER INSTALLIERT SEIN. DIES IST NÖTIG, WENN DIE SENDEVORRICHTUNG UND DAS EMPFÄNGERGERÄT MITEINANDER VERBUNDEN WERDEN.

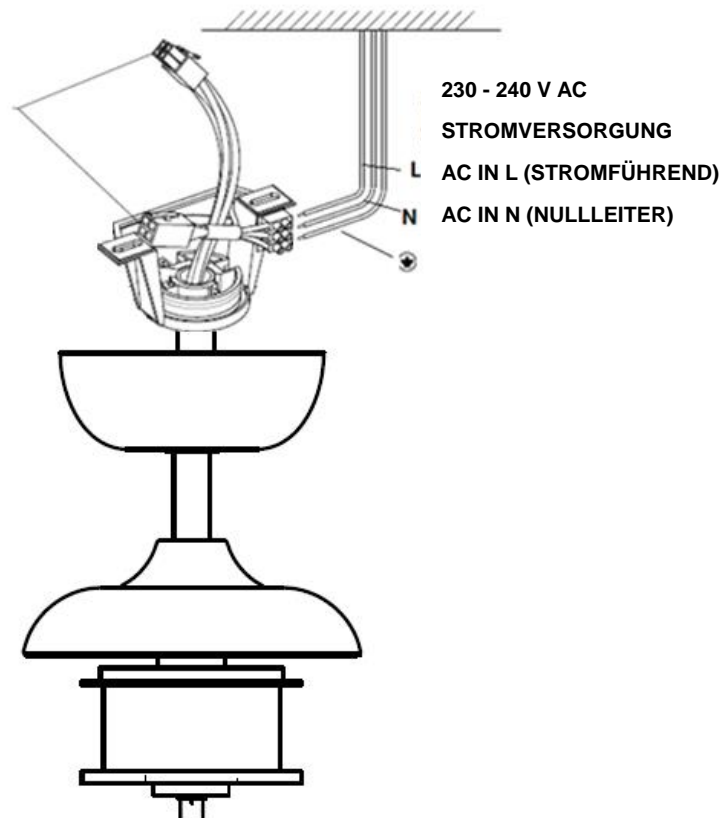


Abb. 5

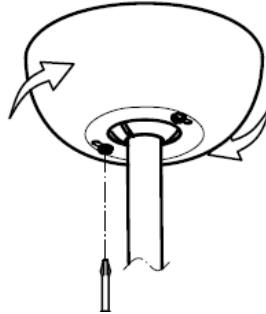


ABSCHLUSS DER INSTALLATION

INSTALLATION DER ABDECKUNG

- Lösen Sie die 2 Schrauben vom unteren Teil der Halterung. Abb. 6
- Schieben Sie die Abdeckung bis zur Halterung hoch und platzieren Sie das Schlüsselloch der Abdeckung auf der Halterung und über den Schrauben. Drehen Sie die Abdeckung bis diese im schmalen Abschnitt des Schlüsselloches einrastet und fixieren Sie diese durch das Festdrehen der beiden Schrauben. Vermeiden Sie dabei die Beschädigung der zuvor installierten Verkabelung.

Abb. 6



INSTALLATION DER ROTORBLÄTTER

- Lösen Sie die 3 Rotorblatthalter vom Motor.
- Befestigen Sie das Rotorblatt durch Anziehen der 2 Rotorblattschrauben mit Unterlegscheiben an seinem Halter. Abb. 7
- Wiederholen Sie diesen Schritt zum Befestigen der anderen Rotorblätter an ihren Haltern.
- Installieren Sie die Rotorblatt-Baueinheiten am Motor, indem Sie die 2 Motorschrauben anziehen. Abb. 8.
- Drehen Sie zum Schluss die untere Abdeckung im Uhrzeigersinn an der Lampenfassung fest. Abb. 9.

Abb. 7

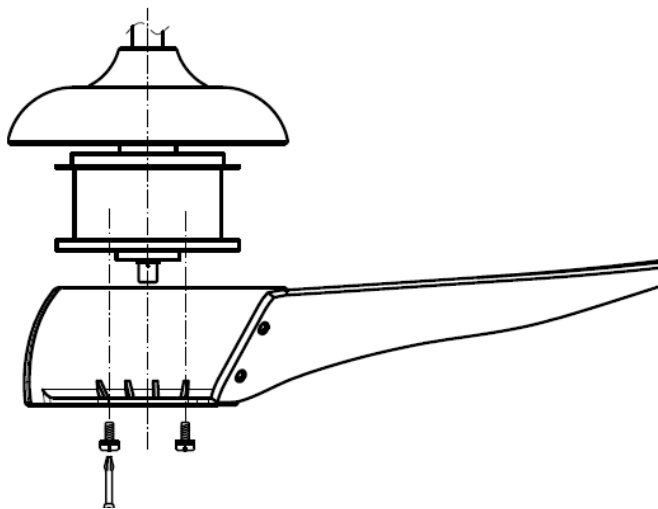
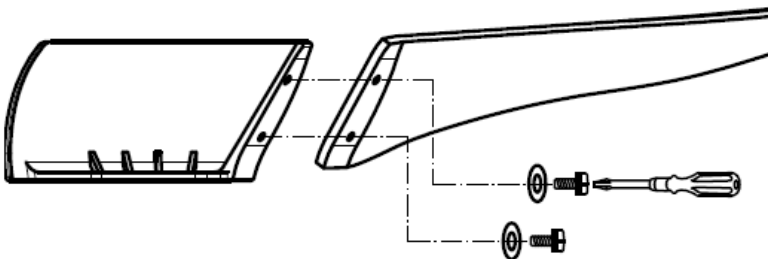


Abb. 8

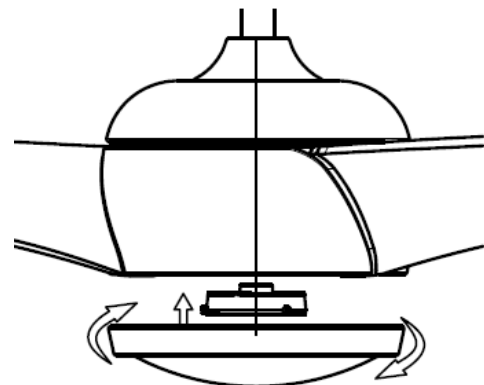


Abb. 9



INSTALLATION DES LICHT-SETS

1. Entfernen Sie die Bodenabdeckung (1) von der Ventilator-Haupteinheit, indem Sie diese gegen den Uhrzeigersinn drehen.
2. Entfernen Sie den Heißschrumpf-Isolierschlauch vom Verbindungsstecker (3) am Ende der Ventilator-Haupteinheit.
3. Verbinden Sie die Verbindungsstecker (3).
4. Befestigen Sie den LED-Leuchtkörper (4) an der Lichtset-Halterung (2) und fixieren Sie ihn durch Drehen im Uhrzeigersinn.

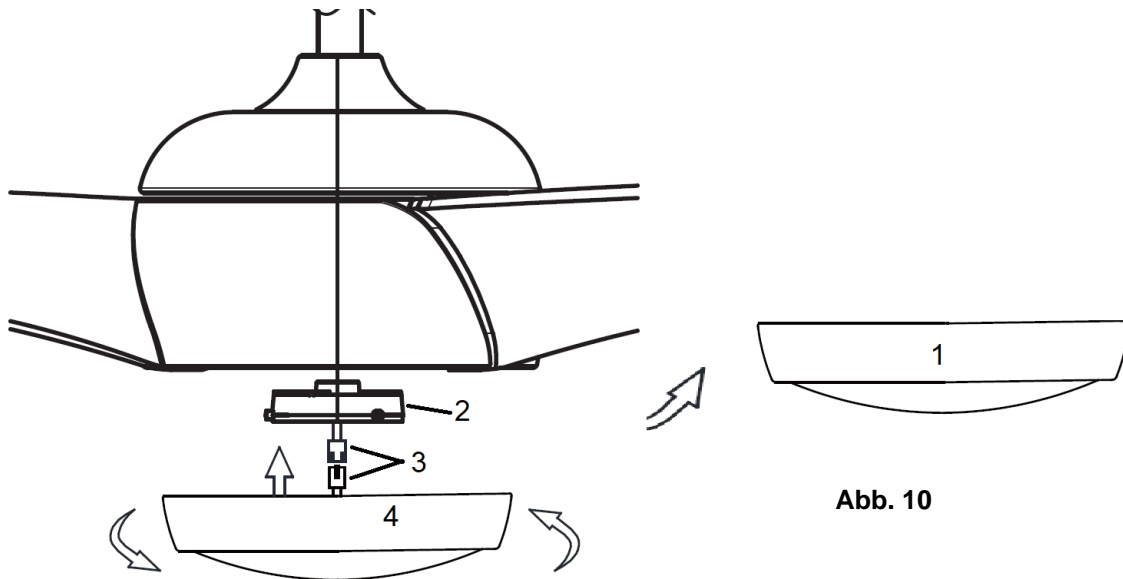


Abb. 10

DIE NUTZUNG IHRES DECKENVENTILATORS

Sender und Empfänger aufeinander einstellen – falls zwei oder mehr Gleichstrom-Deckenventilatoren an einem Ort montiert sind

Wenn zwei oder mehr Ventilatoren nahe beieinander angebracht sind, sollten der Empfänger/Sender jedes Ventilators jeweils auf einen unterschiedlichen Code eingestellt sein. Andernfalls kann es passieren, dass es während des Betriebs der Ventilatoren zu gegenseitigen Störungen kommt.

HINWEIS: Stellen Sie sicher, dass der Netzschalter des Empfängers auf **EIN** gestellt ist, bevor Sie dem Empfänger einen Sender zuweisen.

Zuweisung Sender/Empfänger für Ventilator 1:

- Die beiden Ventilatoren 1 und 2 über den Hauptschalter der Stromversorgung vom Empfänger trennen.
- 3VDC Batterien in das Fach einlegen. Dabei auf richtige Polarität der Batterien achten.
- Strom von Empfänger 1 einschalten. Empfänger 2 AUSgeschaltet lassen. (Jeder Deckenventilator muss mit einem separaten Trennschalter ausgestattet sein, sodass nur der Deckenventilator, der dem Sender zugeordnet werden soll, EINGeschaltet ist.
- Drücken Sie innerhalb von 60 Sekunden nach Einschalten des Stroms von Deckenventilator 1 die Taste von **Sender 1** und halten Sie diese drei Sekunden lang gedrückt.




Der Ventilator bewegt sich etwas und hält dann an, um zu signalisieren, dass der Verbindungsaufbau nun aktiviert ist.

Wenn der Lampensatz am Ventilator befestigt ist, leuchtet die Lampe kurz auf, um zu signalisieren, dass der Verbindungsaufbau aktiviert ist.

- EIN betätigen und die Geschwindigkeit von Deckenventilator 1 mithilfe des Senders verändern, um zu prüfen, ob er funktioniert und Sender und Empfänger miteinander kommunizieren.

Gleichstrom-Deckenventilator 2 einstellen:

- Die beiden Deckenventilatoren 1 und 2 über den Hauptschalter der Stromversorgung vom Empfänger trennen.
- 3VDC Batterien in das Fach einlegen. Dabei auf richtige Polarität der Batterien achten.
- Strom von Empfänger 2 einschalten. Empfänger 1 AUSgeschaltet lassen. (Jeder Deckenventilator muss mit einem separaten Trennschalter ausgestattet sein, sodass nur der Deckenventilator, der dem Sender zugeordnet werden soll, EINgeschaltet ist.
- Drücken Sie innerhalb von 60 Sekunden nach Einschalten des Stroms von Deckenventilator 2 die  Taste von **Sender 2** und halten Sie diese drei Sekunden lang gedrückt.

Der Ventilator bewegt sich etwas und hält dann an, um zu signalisieren, dass der Verbindungsaufbau nun aktiviert ist.

Wenn der Lampensatz am Ventilator befestigt ist, leuchtet die Lampe kurz auf, um zu signalisieren, dass der Verbindungsaufbau aktiviert ist.

- EIN betätigen und die Geschwindigkeit von Deckenventilator 2 mithilfe des Senders verändern, um zu prüfen, ob er funktioniert und Sender und Empfänger miteinander kommunizieren.

Hinweis: Die Abstimmung des Senders auf den Empfänger ist notwendig, wenn nur ein Deckenventilator montiert ist. Wenn zwei oder mehr Deckenventilatoren nahe beieinander montiert sind, verfahren Sie gemäß der vorstehenden Anweisungen.

Bitte achten Sie darauf, dass die Batterie richtig herum ausgerichtet ist.

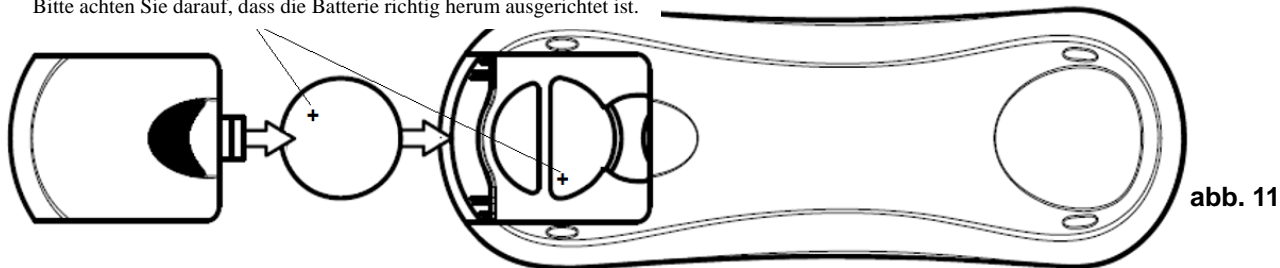


abb. 11

Tasten der Fernbedienung

1 - VENTILATOR-GESCHWINDIGKEIT-TASTEN:

Es sind 6 verschiedene Geschwindigkeitseinstellungen vorhanden. Taste "I" stellt die niedrigste Geschwindigkeit ein, und Taste "VI" stellt die höchste Geschwindigkeit ein.

HINWEIS: WENN SIE DEN VENTILATOR ZUM ERSTEN MAL EINSCHALTEN, ODER DIE STROMVERSORGUNG ZUR VENTILATORSTEUERUNG WIEDER EINSCHALTEN; DANN MÜSSEN SIE ZUERST DIE VENTILATOR-BETRIEBSSTUFE "VI" EINSTELLEN; UND DANN KÖNNEN SIE ANSCHLIESSEND EINE NIEDRIGERE BETRIEBSSTUFE EINSTELLEN.

DER DC-MOTOR DES VENTILATORS BENÖTIGT CA. 5-10 SEKUNDEN, UM AUF DIE EINSTELLUNG EINER NEUEN BETRIEBSSTUFE ODER DER LAUFRICHTUNG DES VENTILATORS ZU REAGIEREN, DA DER DC-VENTILATOR-MOTOR MIT EINEM SENSOR AUSGESTATTET IST, DER DIE STROMZUFUHR ZUM MOTOR STEUERT.

2 - VENTILATOR "AUS"-TASTE:

Betätigen Sie diese Taste, um den Ventilator auszuschalten.

3 - LAUFRICHTUNG UMKEHREN-TASTE.

Betätigen Sie diese Taste, um die Laufrichtung des Ventilators umzuschalten. Der Ventilator muss in Betrieb sein, um die Laufrichtung umkehren zu können.

4 - LICHT-STEUERUNG-TASTE:

Betätigen Sie die Taste, um das Licht „ein/aus“ zu schalten.

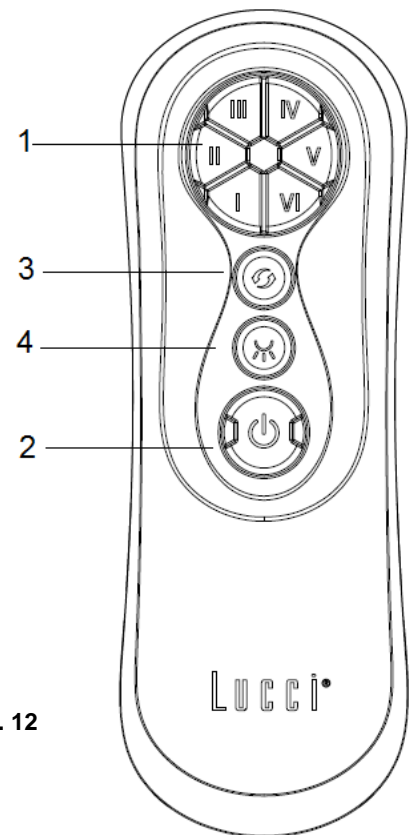


Abb. 12

DER EMPFÄNGER IST MIT DEN FOLGENDEN SCHUTZFUNKTIONEN AUSGESTATTET:

- **Verriegelung:** Der Empfänger hat eine integrierte Sicherungsfunktion, die beim Blockieren des Ventilators während des Betriebs anspricht. Der Motor wird angehalten, und wenn der Ventilator länger als 30 Sekunden blockiert ist, dann wird die Stromzufuhr unterbrochen. Bitte entfernen Sie alle Behinderungen bevor Sie den Ventilator erneut einschalten. Um eine Rücksetzung auszuführen schalten Sie die Stromversorgung zum Motor einfach aus, und dann wieder ein.
- **Über 80W Lastschutz:** Wenn der Empfänger eine Betriebslast von über 80W misst, dann wird die Stromzufuhr unterbrochen und der Ventilatormotor hält unverzüglich an. Schalten Sie die Stromzufuhr ca. 5 Sekunden aus und dann wieder ein, um den Ventilator wieder zu starten


WIEDERHERSTELLUNG DER BINDUNG ZWISCHEN EMPFÄNGER & FERNBEDIENUNG

Falls die Fernbedienung und der Empfänger nach erfolgter Installation oder während des Betriebs ihre Bindung verlieren, muss die Bindung zwischen Fernbedienung und Empfänger wiederhergestellt werden. Nachfolgend finden Sie eine Erläuterung der Symptome sowie Hinweise zur Wiederherstellung der Bindung zwischen der Fernbedienung des Gleichstrom-Deckenventilators und dem Empfänger.

Problem:

- Keine Steuerung möglich – Der Ventilator läuft nach erfolgter Installation auf höchster Geschwindigkeit
- Keine Steuerung möglich – Nach der Installation funktioniert die Rückwärtsfunktion nicht
- Keine Steuerung möglich – Die Fernbedienung kommuniziert nicht mit dem Empfänger

Lösung:

- Hauptschalter des Ventilators ausschalten.
- Drücken Sie innerhalb von 60 Sekunden nach Einschalten des Stroms des Empfängers des Deckenventilators die  Taste des **Senders** und halten Sie diese drei Sekunden lang gedrückt.
- EIN betätigen und die Geschwindigkeit des Deckenventilators mithilfe des Senders verändern, um zu prüfen, ob er funktioniert und Sender und Empfänger erfolgreich miteinander kommunizieren.

NACH DER INSTALLATION

AUSSCHWENKEN:

Bitte beachten Sie: Da der Deckenventilator auf einer Gummitülle befestigt ist, kann es während des Betriebs zu Ausschwenkungen kommen. Wäre der Ventilator jedoch zu fest an der Decke angebracht, würde es zu übermäßigen Vibrationen führen. Das Ausschwenken des Ventilators um wenige Zentimeter stellt kein Problem dar.

VERRINGERUNG DES AUSSCHWENKENS: Bitte stellen Sie sicher, dass alle die Halterung und die Panelstange fixierenden Schrauben festgezogen sind.

BAUSATZ ZUM AUSWUCHTEN DES VENTILATORS: Dieser wird verwendet, um den Ventilator bei der Erstinbetriebnahme auszuwuchten. Um mehr über seine Verwendung zu erfahren, befolgen Sie bitte die Anweisungen. Der Bausatz kann ebenfalls zur erneuten Auswuchtung des Ventilators verwendet werden. Bewahren Sie den Bausatz zum Auswuchten des Ventilators zum zukünftigen Gebrauch auf.

GERÄUSCHE:

Sie können gelegentlich Geräusche wahrnehmen, sobald es in Ihrer Umgebung ruhig ist (besonders nachts). Geringfügige Leistungsschwankungen im Stromnetz sowie den Strom überlagernde Frequenzsignale zur Warmwassersteuerung außerhalb der Stoßzeiten können die Geräusche des Ventilatormotors beeinflussen. Dies ist normal. Bitte kalkulieren Sie eine 24-stündige Anpassungsphase ein, während der die meisten auf den Ventilator zurückzuführenden Geräusche verschwinden.

Die Gewährleistung des Originalherstellers deckt tatsächliche auftretende Fehler ab und KEINE unwesentlichen Beanstandungen wie z. B. Motorengeräusche. Alle elektronischen Motoren sind bis zu einem gewissen Grad hörbar.

REINIGUNG UND PFLEGE

- Die einzige erforderliche Wartung ist die regelmäßige Reinigung Ihres Ventilators. Verwenden Sie dafür eine weiche Bürste oder einen fusselfreien Lappen, um ein Verkratzen der Lackierung zu vermeiden.
- Tauchen Sie Ihren Deckenventilator nicht in Wasser. Dadurch könnte der Motor oder die Flügel beschädigt werden und die Gefahr eines Stromschlags entstehen.
- Achten Sie darauf, dass die Installation nicht mit organischen Lösungsmitteln oder Reinigungsmitteln in Kontakt kommt.
- Wischen Sie das Ventilatorblatt nur mit einem feuchten, sauberen Tuch OHNE organische Lösungsmittel oder Reinigungsmittel ab.
- Der Motor ist mit einem dauergeschmierten Kugellager ausgestattet und muss daher nicht geölt werden.

BITTE BEACHTEN SIE: Schalten Sie vor der Reinigung des Ventilators den Strom über den Netzschalter ab.

TECHNISCHE INFORMATIONEN

NORDIC SERIES Gleichstrom- Ventilatoren- Modelle	Nennspannung	Nennleistung (Motor)	Rated Power (Lamp)	Batterie für die Fernbedienung
NORDIC	220-240VAC	35W	LED, 3000K, 20W	1 X 3VDC CR2032

INFORMATIONEN ZUR GEWÄHRLEISTUNG

FÜR AUSTRALIEN/NEUSEELAND: Es gilt eine andere GARANTIEERKLÄRUNG.

FÜR EUROPA: Europäische Kunden wenden sich für die Garantieerklärung bitte an die Verkaufsstelle, in welcher der Ventilator erworben wurde.



FÉLICITATIONS POUR VOTRE ACHAT

Félicitations pour l'achat du plus récent des ventilateurs de plafond à économie d'énergie. Ce ventilateur fonctionne par CC (alimentation en courant continu) qui lui donne l'avantage d'être super-économe en énergie tout en conservant un volume élevé de circulation d'air et un fonctionnement silencieux.


L'économie d'énergie - Le moteur à courant continu est la plus récente technologie en termes de conception de ventilateur. Son moteur très efficace permet d'économiser jusqu'à 65% d'énergie en plus comparé aux ventilateurs de plafond avec des moteurs traditionnels à courant alternatif.

Un fonctionnement silencieux - ce moteur de ventilateur CC est programmé avec un courant stabilisé ce qui réduit efficacement le bruit du moteur.

Une température de fonctionnement basse - Le courant continu est géré efficacement, ce qui fait baisser la température de fonctionnement du moteur à moins de 50degs. Il en résulte un moteur beaucoup plus frais que celui d'un ventilateur à courant alternatif standard et augmente la longévité du moteur.

Une télécommande à distance à 6 vitesses, les ventilateurs de plafond normaux à courant alternatif viennent généralement avec seulement 3 vitesses, ce ventilateur CC est livré avec une télécommande à 6 vitesses, ce qui donne un plus grand choix de niveaux de confort.

MESURES DE SÉCURITÉ

- 1) Europe: Cet appareil peut être utilisé par des enfants âgés de 8 ans et plus et des personnes ayant des capacités physiques, sensorielles ou mentales réduites ou un manque d'expérience et de connaissance s'ils sont sous surveillance ou ont reçu des instructions au préalable concernant l'utilisation de l'appareil en toute sécurité et s'ils comprennent les risques impliqués. Le nettoyage et l'entretien ne doivent pas être faits par des enfants sans une surveillance.
- 2) Australie: Cet appareil n'est pas destiné à être utilisé par de jeunes enfants ou des personnes handicapées à moins qu'ils ne soient adéquatement supervisés par une personne responsable pour s'assurer qu'ils puissent utiliser l'appareil en toute sécurité.
- 3) Les enfants doivent être surveillés pour s'assurer qu'ils ne jouent pas avec l'appareil.
- 4) Un interrupteur de déconnexion omnipolaire doit être incorporé dans le câblage fixe en conformité avec les règles de câblage.
- 5)  Ne jetez pas les appareils électriques dans les ordures ménagères, utiliser les installations de collecte sélective. Contactez votre municipalité pour obtenir des informations concernant les systèmes de collecte disponibles. Si les appareils électriques sont détruits dans des décharges ou dépotoirs, des substances dangereuses peuvent s'infiltrer dans les eaux souterraines et entrer dans la chaîne alimentaire, ce qui pourrait nuire à votre santé et votre bien-être.
- 6) La structure sur laquelle le ventilateur doit être monté doit être capable de supporter un poids de 40kg.
- 7) Le ventilateur doit être monté de telle sorte que les pales soient au moins **2.3** mètres au-dessus du sol pour l'Europe.
- 8) Le ventilateur doit être monté de telle sorte que les lames soient au moins **2.1** mètres au-dessus du sol pour l'Australie.
- 9) Ce ventilateur est adapté pour une utilisation en intérieur et en extérieur à condition que le ventilateur soit couvert avec un minimum de 2 murs. Le ventilateur de plafond doit être placé dans un endroit protégé de l'eau, du vent, de la poussière et du sel. Une exposition à ces éléments annulerait la garantie. Le montage du ventilateur dans un lieu où il serait soumis à l'eau ou à l'humidité est dangereux.
- 10) Seul un électricien agréé doit exécuter l'installation.

LISTE DES PIÈCES

Déballez votre ventilateur et vérifiez le contenu. Vous devez disposer des éléments suivants:

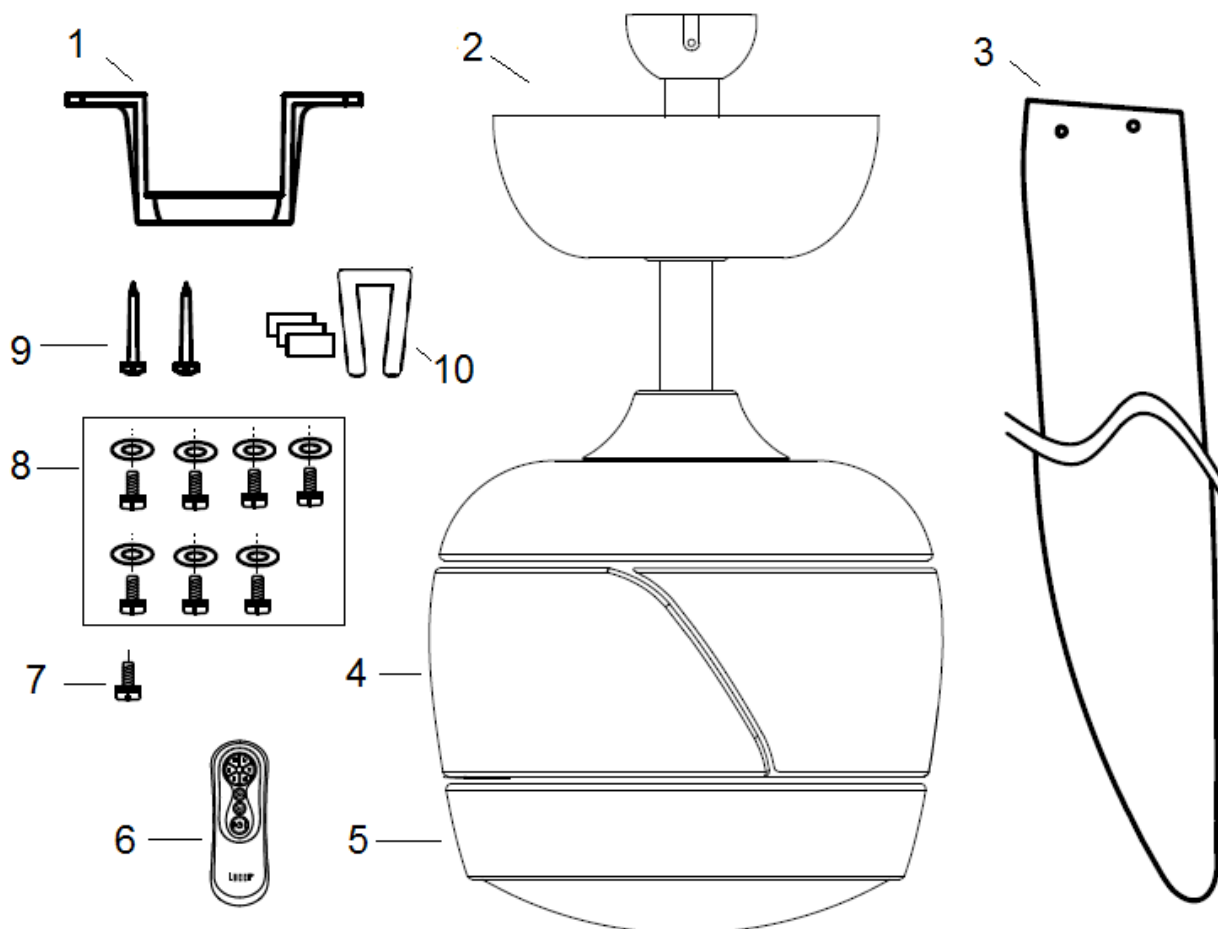


Fig. 1

- | | | | |
|---|--|----|-------------------------------------|
| 1 | Fixation de montage x 1 | 6 | Télécommande avec support x 1 set |
| 2 | Ventilateur assemblé avec capot de suspension, tige inférieure, couvercle supérieur de plafond x 1 | 7 | Vis de moteur x 7 |
| 3 | Pale x 3 | 8 | Vis de pale avec rondelle plate x 7 |
| 4 | Support de pales x 3 | 9 | Vis en bois x 2 |
| 5 | Couvercle inférieur x 1
Kit lampe LED x 1 | 10 | Kits d'équilibrage x 1 set |



L'INSTALLATION DU SUPPORT DE MONTAGE

Le ventilateur de plafond doit être installé dans un endroit où la pointe des pales soit à une distance de 300mm des objets ou des murs les plus proches.

Fixer le support de suspension à la solive du plafond ou une structure qui est capable de supporter une charge d'au moins 30 kg, avec deux longues vis. Assurez-vous qu'au moins 30 mm de la vis est vissée dans le support.

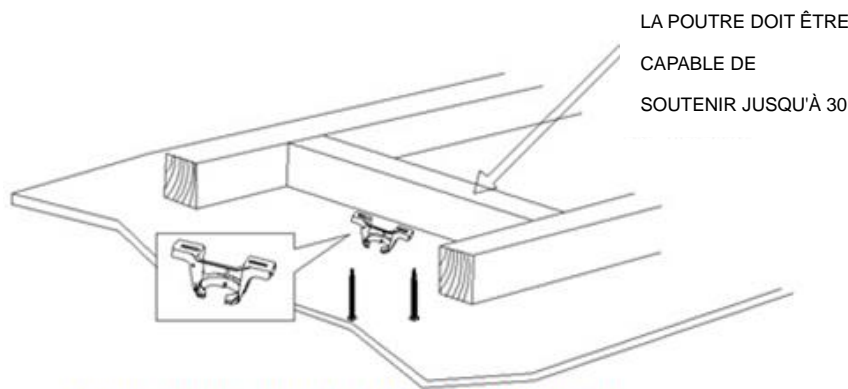


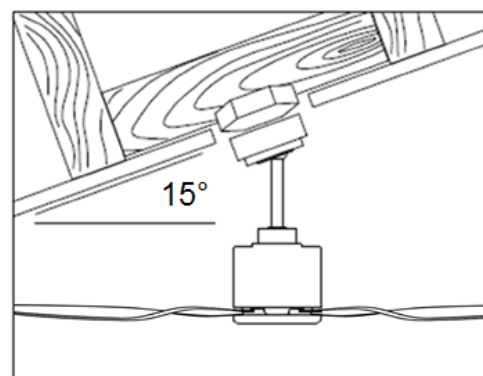
Fig. 2

REMARQUE: CETTE ILLUSTRATION SERT DE RÉFÉRENCE SEULEMENT ET NE REPRÉSENTE PAS LA FIXATION

REMARQUE: Les vis de support fournies sont à utiliser avec les structures en bois seulement. Pour les structures autres que celles en bois, le type de vis approprié doit être utilisé.

L'INSTALLATION SUR UN PLAFOND INCLINÉ

Ce système de suspension du ventilateur soutient une installation sur un plafond ayant un angle maximale de 15 degrés.



FIXATION DU VENTILATEUR

Soulever le ventilateur sur le support de montage. S'assurer que le logement de calage du palier de suspension est positionné sur le butoir du support de montage afin de prévenir la rotation du ventilateur lorsqu'il est en fonctionnement. (Fig. 4)

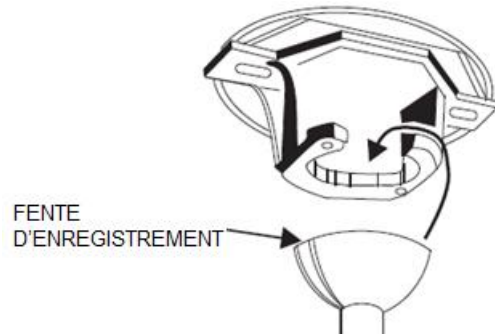


Fig.4

PREPARER ET COMPLETER LE CABLAGE ELECTRIQUE

AVERTISSEMENT: POUR VOTRE SÉCURITÉ TOUTES LES CONNEXIONS ÉLECTRIQUES DOIVENT ÊTRE EFFECTUÉES PAR UN ÉLECTRICIEN AGRÉÉ.

REMARQUE: UN INTERRUPTEUR DE DÉCONNECTION OMNIPOLAIRE ADDITIONNEL DOIT ÊTRE INCLUS DANS LE CABLAGE FIXE. VEUILLEZ VOUS ASSURER QUE L'INTERRUPTEUR PRINCIPAL AIT ÉTÉ COUPÉ AVANT LA CONNECTION.

REMARQUE: S'IL YA DEUX OU PLUSIEURS VENTILATEURS CC INSTALLÉS DANS LE MÊME ENDROIT, UN INTERRUPTEUR D'ISOLATION EST NÉCESSAIRE POUR CHAQUE VENTILATEUR AU PLAFOND. CECI EST NÉCESSAIRE POUR LA PROGRAMMATION DE COUPLAGE ENTRE LA TÉLÉCOMMANDE ET LE RECEPTEUR.

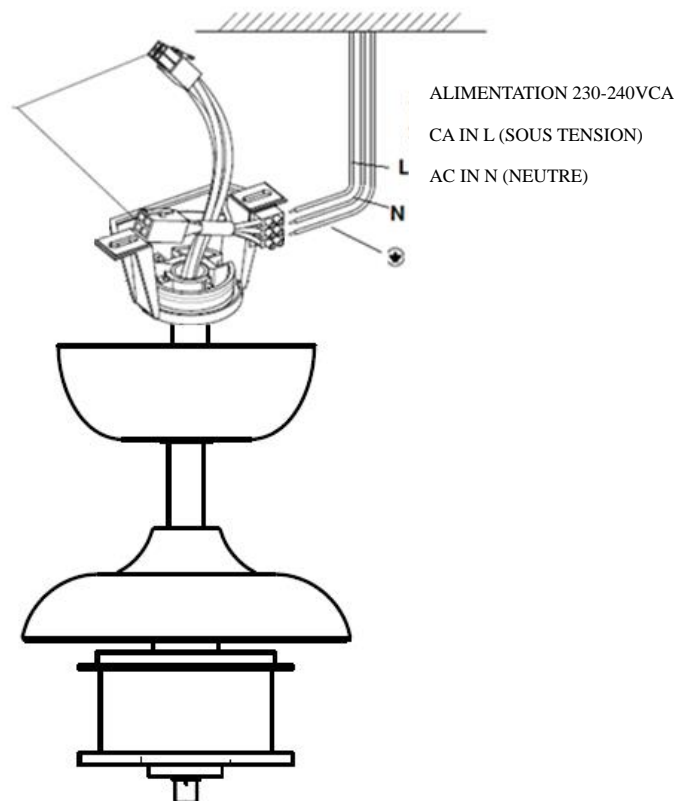


Fig. 5



COMPLÈTEMENT DE L'INSTALLATION

INSTALLER LE DAIS

Desserrez les deux vis du bas du support de montage. Fig. 6

Faites glisser le dais jusqu'au support de montage et placez le trou de la serrure sur le dais au-dessus de la vis sur le support de montage, faites tourner ensuite le dais jusqu'à ce qu'il se verrouille en place à la section étroite des trous de serrure et fixez le en serrant les deux vis de fixation. Évitez d'endommager le câblage électrique préparé auparavant.

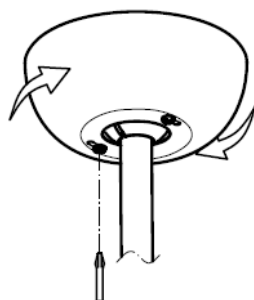


Fig. 6

INSTALLATION DES PALES

- Desserrez les supports des 3 pales du moteur.
- Fixez la pale au support de pale en serrant les 2 vis de pale avec les rondelles. Schéma 7
- Répétez la même procédure pour attacher les deux autres pales aux supports de pales.
- Installez l'assemblage des pales au moteur en serrant les 2 vis du moteur. Schéma 8
- Enfin, installez le couvercle inférieur sur la fixation de la lampe en le tournant dans le sens des aiguilles d'une montre. Schéma 9

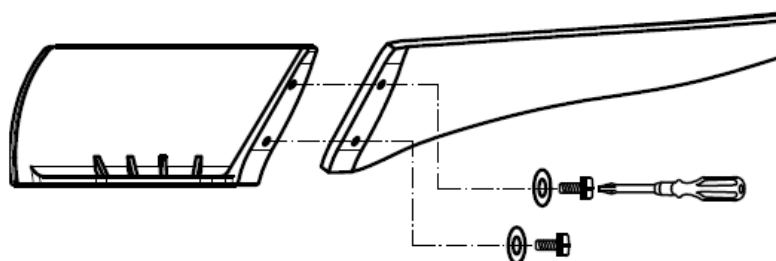


Fig. 7

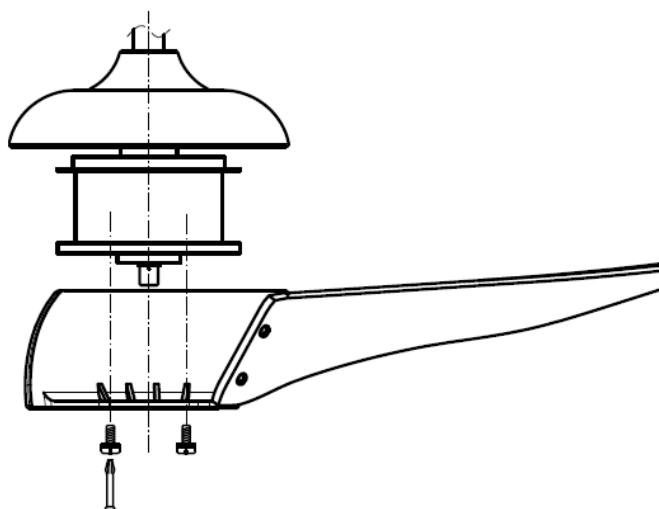


Fig. 8

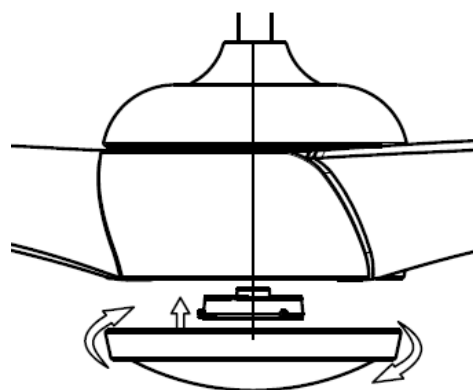


Fig. 9



INSTALLATION DU KIT LAMPE

1. Ôtez le couvercle inférieur (1) de la partie principale du ventilateur en le tournant dans le sens inverse des aiguilles d'une montre.
2. Enlevez le tube isolant thermorétractable du connecteur (3) situé à l'extrémité de la partie principale du ventilateur.
3. Reliez les connecteurs (3).
4. Fixez le luminaire LED (4) au support du kit lampe (2) et verrouillez-le en le tournant dans le sens des aiguilles d'une montre.

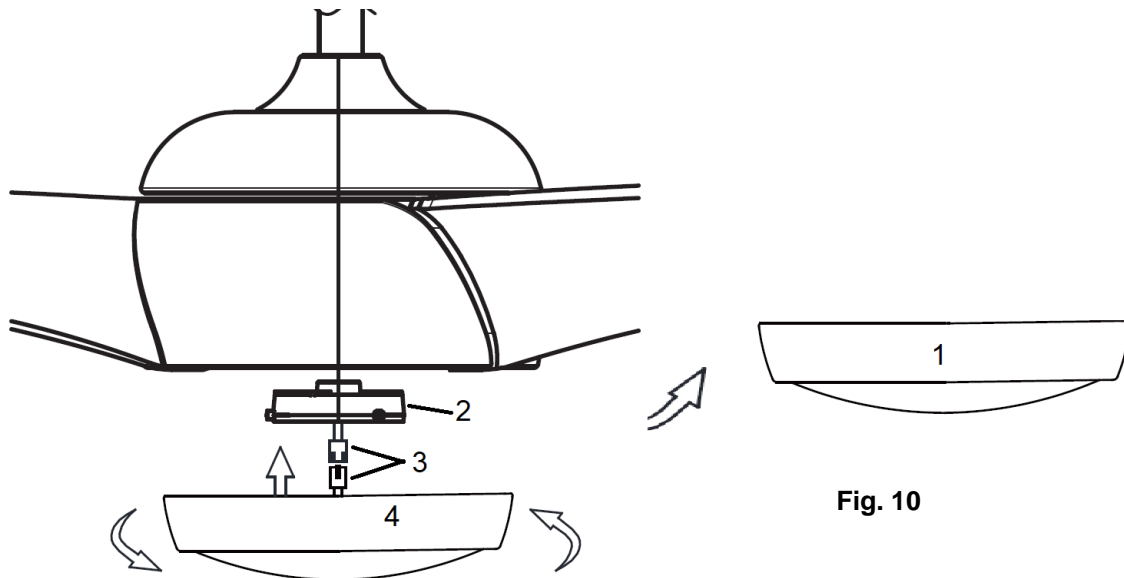


Fig. 10

L'UTILISATION DE VOTRE VENTILATEUR

Couplage télécommande / ventilateur – quand deux ou plusieurs ventilateurs électriques sont installés au même endroit

Quand deux ou plusieurs ventilateurs sont situés au même endroit, il y a lieu de prévoir un code différent pour la télécommande de chaque ventilateur afin que la mise en marche de l'un d'entre eux n'affecte pas le fonctionnement de l'autre (ou des autres).

REMARQUE : assurez-vous que le ventilateur est **EN MARCHÉ** avant de le coupler avec la télécommande.

Couplage télécommande / ventilateur pour le ventilateur 1 :

- Arrêtez les deux ventilateurs de plafond 1 et 2 avec l'interrupteur du secteur.
- Installez les 1 piles DC 3 V dans le compartiment. Assurez-vous de respecter la polarité.
- Mettez le ventilateur 1 en marche. Laissez le ventilateur 2 **ARRÊTÉ**. (Chaque ventilateur de plafond doit avoir son propre interrupteur isolé, de telle sorte que seul le ventilateur qui doit être couplé avec la télécommande soit **EN MARCHÉ**).
- Appuyez sur le bouton "⏻" de la **télécommande 1** et maintenez-le enfoncé pendant 3-5 secondes dans les 60 secondes qui suivent la mise en marche du ventilateur 1.

Le ventilateur se déplacera légèrement et s'arrêtera pour indiquer que le processus d'appariement est activé.



Si le ventilateur est pourvu d'une lampe intégrée, la lampe clignotera pour indiquer que le processus d'appariement est activé.

- Mettez le ventilateur 1 EN MARCHÉ et changez sa vitesse via la télécommande pour vérifier sa bonne marche et la réussite du couplage.

Couplage du ventilateur électrique de plafond 2 :

- Arrêtez les deux ventilateurs 1 et 2 avec l'interrupteur du secteur.
- Installez les 1 piles DC 3 V dans le compartiment. Assurez-vous de respecter la polarité.
- Mettez le ventilateur 2 en marche. Laissez le ventilateur 1 ARRÊTÉ. (Chaque ventilateur de plafond doit avoir son propre interrupteur isolé, de telle sorte que seul le ventilateur qui doit être couplé avec la télécommande soit EN MARCHÉ).
- Appuyez sur le bouton "⏻" de la **télécommande 2** et maintenez-le enfoncé pendant 3-5 secondes dans les 60 secondes qui suivent la mise en marche du ventilateur 2.

Le ventilateur se déplacera légèrement et s'arrêtera pour indiquer que le processus d'appariement est activé. Si le ventilateur est pourvu d'une lampe intégrée, la lampe clignotera pour indiquer que le processus d'appariement est activé.

- Mettez le ventilateur 2 EN MARCHÉ et changez sa vitesse via la télécommande pour vérifier sa bonne marche et la réussite du couplage.

Remarque : Le couplage de la télécommande et du ventilateur est requis si un seul ventilateur de plafond est installé. Si plus de deux ventilateurs de plafond sont installés à proximité les uns des autres, veuillez suivre les instructions ci-dessus.

Veuillez à bien orienter la pile dans le bon sens.

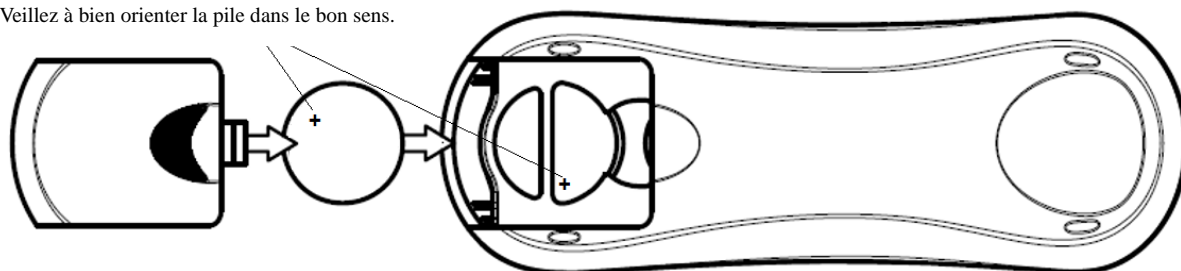


Fig. 10

Boutons de la télécommande

1 - TOUCHE DE CONTROLE DE LA VITESSE DES PALES :

Il y'a 6 vitesses disponibles. La touche "I" correspond à la vitesse la plus lente et la touche "VI" correspond à la vitesse la plus rapide.

REMARQUE : LORSQUE VOUS ALLUMEZ LE VENTILATEUR POUR LA PREMIÈRE FOIS OU QUE VOUS ALLUMEZ L'ALIMENTATION PRINCIPALE AVEC LA TÉLÉCOMMANDE, VOUS DEVEZ DÉMARRER LE VENTILATEUR EN UTILISANT D'ABORD LA VITESSE "VI" PUIS CHOISIR UNE VITESSE INFÉRIEURE PAR LA SUITE.

UN DÉLAI DE 5-10 SECONDES EST NÉCESSAIRE POUR PERMETTRE AU VENTILATEUR CC DE RÉPONDRE À LA TÉLÉCOMMANDE SUR CHAQUE VITESSE OU LA SÉLECTION DE DIRECTION DE VENTILATEUR, CAR LE VENTILATEUR CC CONTIENT UN CONTROLE DE CAPTEUR QUI COMMANDE LA PUISSANCE DU MOTEUR.

2 - TOUCHE D'EXTINCTION DU VENTILATEUR :

Appuyez sur cette touche pour éteindre le ventilateur.

3 - TOUCHE D'INVERSEMENT DU SENS :

Appuyez sur cette touche pour inverser le sens de rotation des pales. Le ventilateur doit être en fonctionnement pour activer la fonction inversement.

4 - TOUCHE DE CONTROLE DE LA LUMIÈRE :

Appuyez sur le bouton pour allumer/éteindre la lumière.

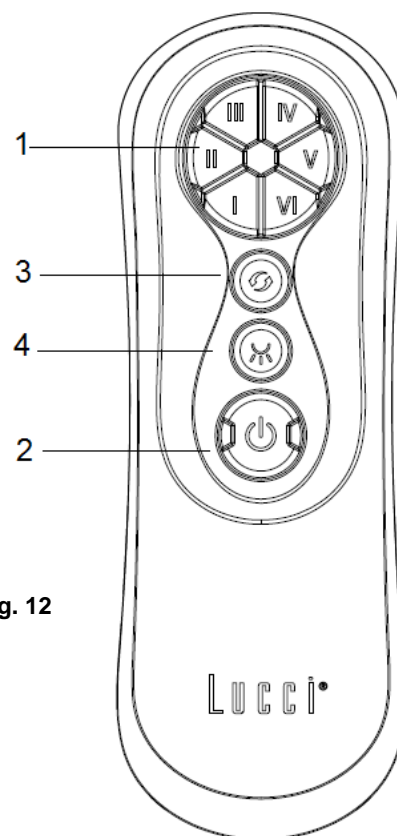


Fig. 12

LE RÉCEPTEUR PERMET LES NIVEAUX SUIVANT DE PROTECTION CONTRE.

- Position verrouillée : Le récepteur a une fonction intégrée de sécurité pour le protéger contre l'obstruction pendant le fonctionnement. Le moteur sera verrouillé au niveau du fonctionnement et se déconnectera de l'alimentation après 30 secondes d'interruption. Veuillez enlever les obstacles avant de redémarrer. Pour réinitialiser, éteignez simplement l'alimentation électrique du moteur du ventilateur et redémarrez.
- Protection au dessus de 80W : lorsque le récepteur détecte une consommation énergétique supérieure a 80W, le récepteur s'arrêtera et le fonctionnement cessera immédiatement. Allumez le récepteur d'alimentation après 5 secondes pour redémarrer le ventilateur.

RÉPARER LE COUPLAGE ENTRE VENTILATEUR ET TÉLÉCOMMANDE

Si la télécommande n'actionne plus le ventilateur, que ce soit lors de l'installation ou pendant l'utilisation, le couplage entre le ventilateur et la télécommande doit être réparé. Vous trouverez ci-dessous les symptômes de dysfonctionnement et la méthode nécessaire pour réparer le couplage entre la télécommande et le ventilateur électrique de plafond.

Problèmes :

- Perte de contrôle – Le ventilateur ne tourne plus qu'à vitesse maximale après son installation
- Perte de contrôle – Il est impossible d'inverser le sens de sa rotation après son installation
- Perte de contrôle – La télécommande ne communique pas avec le ventilateur

Solution :

- Arrêtez le ventilateur par l'interrupteur du secteur.
- Appuyez sur le bouton "⏻" de la **télécommande** et maintenez-le enfoncé pendant 3-5 secondes dans les 60 secondes qui suivent la mise en marche du ventilateur.
- Mettez le ventilateur EN MARCHE et changez sa vitesse via la télécommande pour vérifier sa bonne marche et la réussite du couplage.

APRES L'INSTALLATION

L'OSCILLATION:

Remarque: Les ventilateurs de plafond ont tendance à bouger pendant le fonctionnement à cause du fait qu'ils soient montés sur une bague en caoutchouc. Si le ventilateur était monté de façon rigide au plafond il causerait une vibration excessive. Un mouvement de quelques centimètres est tout à fait acceptable et ne cause pas de problème.

POUR RÉDUIRE L'OSCILLATION DU VENTILATEUR: Veuillez vérifier que toutes les vis qui fixent le support de montage et la tige de suspension sont fixées.

KIT L'ÉQUILIBRE: Un kit d'équilibre est prévu pour équilibrer le ventilateur de plafond lors de l'installation initiale. Veuillez vous référer à l'instruction sur la façon d'utiliser le kit d'équilibre. Le kit d'équilibrage peut être utilisé pour aider le rééquilibrage dans le cas où le ventilateur de plafond redevenait non-équilibré. Garder votre kit d'équilibrage après installation pour une utilisation dans l'avenir le cas échéant.

LE BRUIT:

Quand il est calme (surtout la nuit), vous entendrez peut-être des petits bruits occasionnels. Les fluctuations de puissance faibles et les signaux de fréquence superposés dans l'électricité pour les périodes creuses de maîtrise de l'eau chaude, peuvent provoquer un changement dans le bruit du moteur du ventilateur.

C'est normal. Veuillez permettre une période de réglage de 24 heures, la plupart des bruits associés à un nouveau ventilateur disparaissent pendant ce temps.

La garantie du fabricant couvre les défauts réels qui peuvent se développer mais PAS les plaintes mineures telles que l'entente du fonctionnement du moteur - Tous les moteurs électriques sont audibles dans une certaine mesure.

ENTRETIEN ET NETTOYAGE

- Le nettoyage périodique de votre ventilateur de plafond est le seul entretien nécessaire. Utilisez une brosse ou un chiffon doux non pelucheux pour éviter de gratter la peinture de finition. S'il vous plaît coupez l'alimentation électrique lorsque vous le faites.
- Ce ventilateur à plafond ne doit en aucun cas être plongé dans l'eau. Cela risquerait d'endommager le moteur et les pales, et de créer un risque de choc électrique.
- Veillez à ce que la fixation n'entre jamais en contact avec du solvant ou du produit de nettoyage organique.
- Pour nettoyer les pales du ventilateur, frottez-les avec un chiffon propre seulement imbibé d'eau et PAS de solvant ou produit de nettoyage organique.
- Le moteur a un lubrificateur à roulement à billes en permanence. Il n'a pas besoin d'huile.

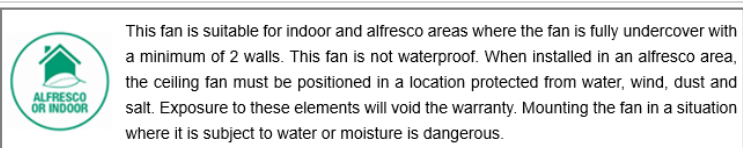
Remarque: Toujours couper l'alimentation à l'interrupteur principal avant de tenter de nettoyer votre ventilateur.

INFORMATION TECHNIQUE

NORDIC SÉRIE VENTILATEUR CC	Tension nominale	Puissance nominale (moteur)	Puissance nominale (Lampe)	Batterie pour télécommande
NORDIC	220-240VAC	35W	LED, 3000K, 20W	1 X 3VDC CR2032

INFORMATIONS SUR LA GARANTIE

EN AUSTRALIE / NOUVELLE-ZELANDE – Veuillez vous référer à la DECLARATION DE GARANTIE séparée.
EN EUROPE - Si vous êtes un client européen veuillez contacter le point de vente où le ventilateur fut acheté pour un service de garantie.



E

ENHORABUENA POR SU COMPRA

Enhorabuena por adquirir lo último en ventiladores de techo que ahorran energía. Este ventilador funciona con alimentación CC (corriente continua) lo que le otorga la ventaja de ser muy eficiente energéticamente a la vez que todavía mantiene un gran volumen de movimiento de aire y un funcionamiento silencioso.


Ahorro de energía – El motor CC es la última tecnología en diseño de ventiladores. Su motor altamente eficiente ahorra hasta un 65% más de energía que los ventiladores de techo con los motores tradicionales CA.

Funcionamiento silencioso – este motor CC está programado con una corriente estabilizada lo que reduce de forma eficiente el ruido del motor.

Baja temperatura de funcionamiento – La alimentación CC está gestionada de forma eficiente lo que reduce la temperatura operativa del motor a menos de 50 grados. Esto provoca un motor mucho más frío que un ventilador CA estándar y aumenta la longevidad del motor.

Con un mando a distancia de 6 velocidades, los ventiladores normales CA normalmente se presentan sólo con 3 velocidades y este ventilador CC se presenta completo con un mando a distancia de 6 velocidades, lo que ofrece una mayor elección de niveles de comodidad.

PRECAUCIONES DE SEGURIDAD

- 1) Europa: este aparato pueden usarlo niños con una edad a partir de 8 años y por personal con capacidades físicas, sensoriales o mentales reducidas o con falta de experiencia o conocimientos si se les ha ofrecido supervisión o instrucciones respecto al uso del aparato de forma segura y si comprenden los riesgos que implican. La limpieza y el mantenimiento no deben realizarlo los niños sin supervisión.
- 2) Australia: este aparato no está diseñado por el uso de niños pequeños o por personas enfermas salvo que se les haya supervisado adecuadamente por parte de una persona responsable para asegurarse que pueden usar el aparato con seguridad.
- 3) Se debe supervisar a los niños para asegurarse que no juegan con el aparato.
- 4) Se debe incorporar un interruptor de desconexión de todos los polos en el cableado fijo conforme a las normas de cableado.
- 5)  No elimine los aparatos eléctricos como residuos municipales sin clasificar; use los puntos de recogida separados. Póngase en contacto con su ayuntamiento local para obtener información respecto a los sistemas de recogida disponibles. En caso de que se deshaga de aparatos eléctricos en vertederos o basureros, se pueden filtrar sustancias peligrosas en el agua subterránea y entrar en la cadena alimentaria, dañando su salud y bienestar.
- 6) La estructura en la que debe montarse debe ser capaz de soportar un peso de 40kg.
- 7) El ventilador debe montarse de forma que los alabes estén a al menos **2.3** metros por encima del suelo en Europa.
- 8) El ventilador debe montarse de forma que los alabes estén a al menos **2.1** metros por encima del suelo en Australia.
- 9) Este ventilador es apto para utilizarse en interiores y exteriores siempre que esté completamente cubierto por un mínimo de 2 paredes. El ventilador de techo debe colocarse en un lugar protegido del agua, viento, polvo y sal. Si se expone a dichos elementos, la garantía quedará anulada. Es peligroso montar el ventilador de techo en un lugar expuesto al agua o a la humedad.
- 10) Únicamente un electricista autorizado debe realizar la instalación.



LISTA DE PIEZAS

Desembale el ventilador y compruebe los contenidos. Debe disponer de lo siguiente:

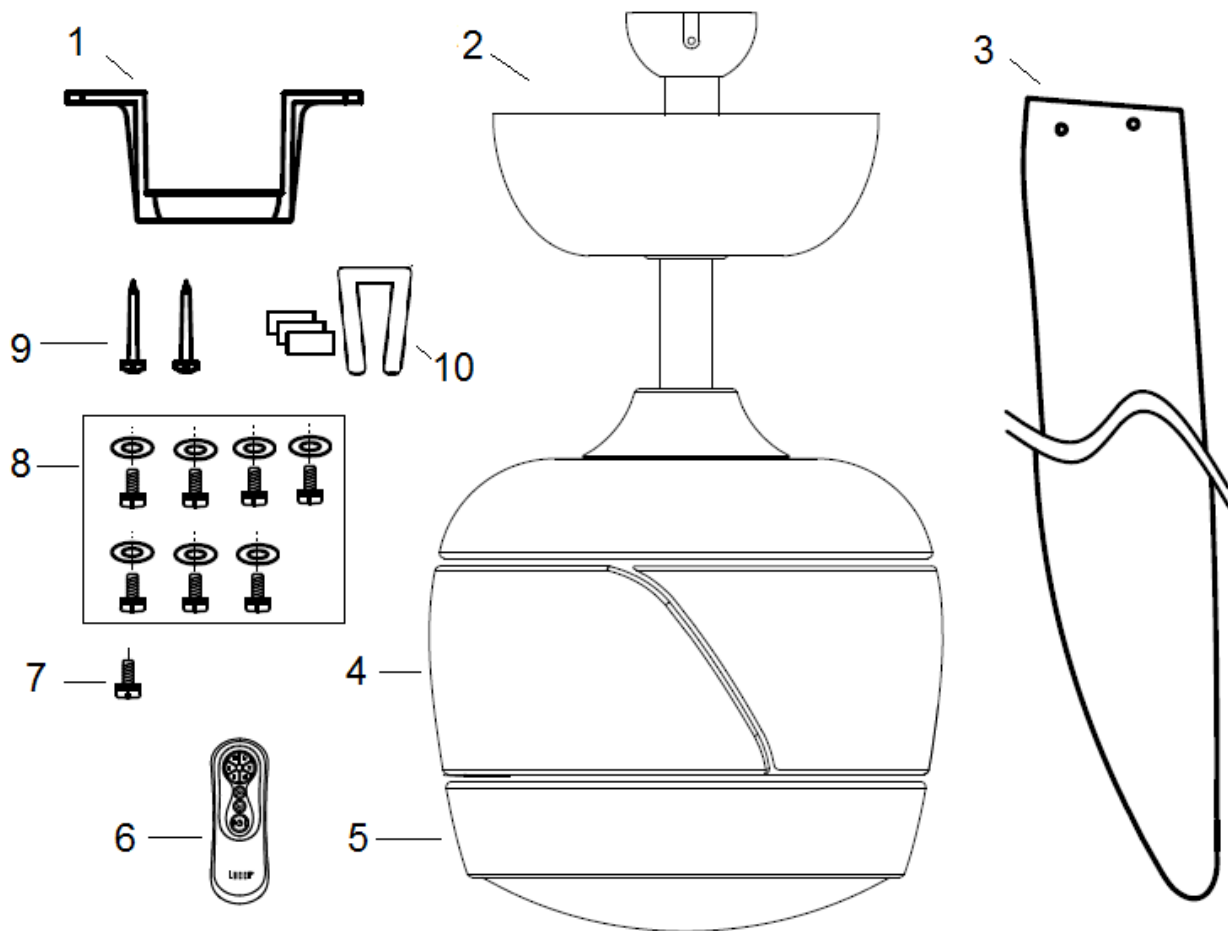


Fig. 1

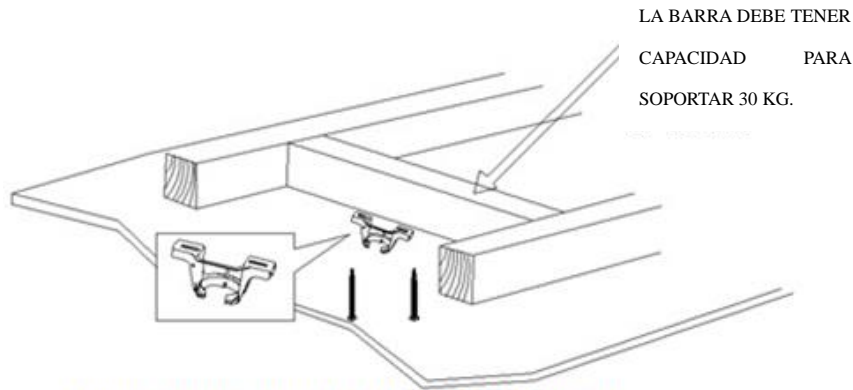
- | | | | |
|---|--|----|--|
| 1 | 1 soporte de montaje | 6 | 1 set de transmisor remoto con soporte |
| 2 | 1 conjunto del ventilador con cubierta para el colgador, varilla de bajada, cubierta de la capota y capota | 7 | 7 tornillos de motor |
| 3 | 3 aspas | 8 | 7 tornillos de aspa con arandelas planas |
| 4 | 3 soportes de aspa | 9 | 2 tornillos de madera |
| 5 | 1 cubierta inferior
Kit de iluminación led x 1 | 10 | 1 kit de equilibrado |



INSTALACIÓN DE LA ABRAZADERA DE MONTAJE

El ventilador de techo debe instalarse en una ubicación de forma que los alabes presenten un espacio de 300mm desde la punta del alabe a los objetos o paredes más cercanos.

Asegure la abrazadera de montaje a la viga del techo o estructura de forma que sea capaz de soportar una carga de al menos 30kg, con los dos tornillos largos que se adjuntan. Asegúrese que se enrosca al menos 30mm del tornillos en el soporte.



NOTA: ESTA IMAGEN ES SOLO UNA ILUSTRACIÓN Y NO REPRESENTA LA ABRAZADERA REAL

Fig.2

NOTA: los tornillos de la abrazadera que se adjuntan son únicamente para su uso con estructuras de madera. Para otras estructuras diferentes a la madera, DEBE usarse el tipo de tornillos adecuado.

INSTALACIÓN EN ÁNGULO EN EL TECHO

Este sistema de suspensión del ventilador soporta un máximo de instalación en ángulo en techo de 15 grados.

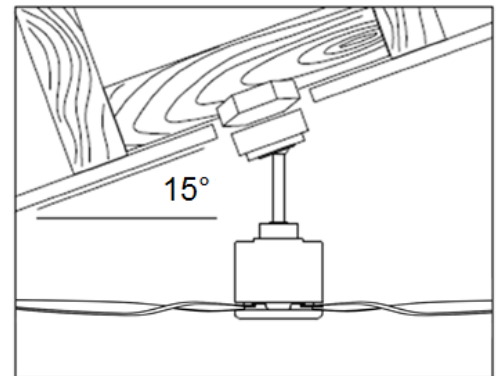


Fig. 3

COLGAR EL VENTILADOR

Levante el ventilador sobre la abrazadera de montaje. Asegúrese que la ranura de registro de la bola del colgador está colocada en el tope de la abrazadera de montaje para evitar que el ventilador gire mientras se encuentra en funcionamiento. (Fig. 4)



Fig. 4

PREPARE Y COMPLETE EL CABLEADO ELÉCTRICO

ADVERTENCIA: POR SU SEGURIDAD, TODAS LAS CONEXIONES ELÉCTRICAS DEBE REALIZARLAS UN ELECTRICISTA CUALIFICADO.

NOTA: SE DEBE INCLUIR UN INTERRUPTOR DE DESCONEXIÓN DE TODOS LOS POLOS EN EL CABLEADO FIJO. POR FAVOR, ASEGÚRESE QUE EL INTERRUPTOR PRINCIPAL SE HA APAGADO ANTES DE CONECTARLO.

NOTA: SI HAY DOS O MÁS VENTILADORES DE TECHO CC INSTALADOS EN UNA UBICACIÓN, ES NECESARIO UN CONTACTOR DE AISLAMIENTO PARA CADA VENTILADOR DE TECHO. ESTO ES NECESARIO CUANDO SE PROGRAMA EL MANDO A DISTANCIA Y EL RECEPTOR PARA EMPAREJARLOS JUNTOS.

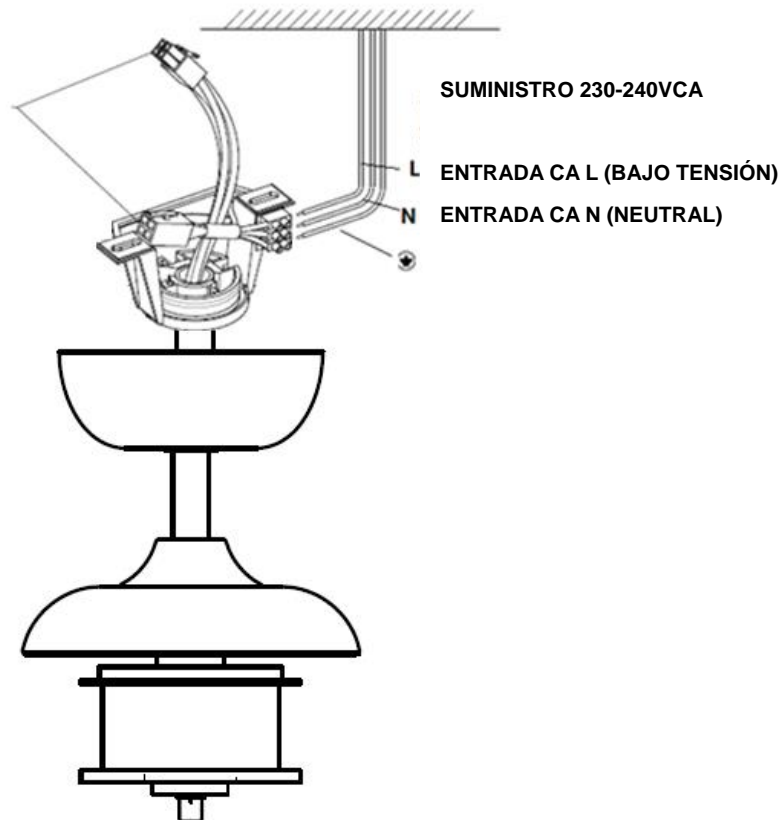


Fig. 6



FINISHING THE INSTALLATION

INSTALACIÓN DE LA CUBIERTA DEL TOLDO

- Afloje los 2 tornillos de la parte inferior de la abrazadera de montaje. Figura 6
- Deslice el toldo hasta la abrazadera de montaje y coloque el orificio pequeño del toldo sobre el tornillo de la abrazadera de montaje; gire el toldo hasta que se bloquee en su lugar en la sección estrecha de los orificios pequeños y asegúrelo apretando los dos tornillos. Evite dañar el cableado eléctrico preparado con anterioridad.

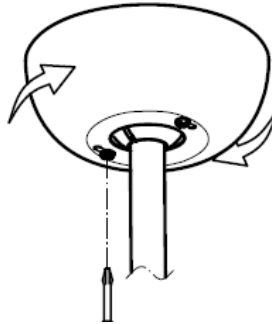


Fig. 6

INSTALACIÓN DE LAS ASPAS

- Afloje los 3 soportes de las aspas del motor.
- Fije el aspa a su soporte apretando los 2 tornillos de aspa con las arandelas. Fig.7
- Repita la misma operación para instalar los otros soportes de aspa.
- Instale los conjuntos de las aspas al motor apretando los 2 tornillos de motor. Fig.8
- Para finalizar, coloque la cubierta inferior en el soporte de la lámpara girándola en sentido horario. Fig.9

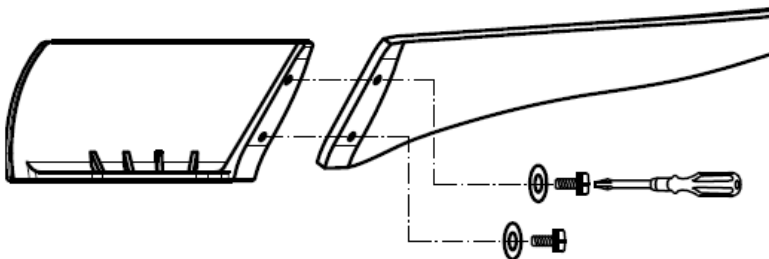


Fig. 7

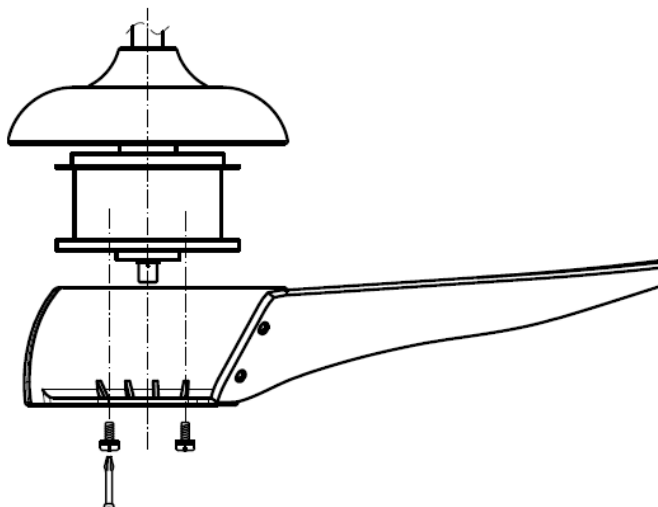


Fig. 8

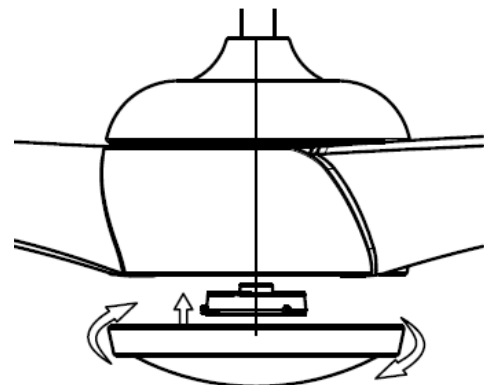


Fig. 9



INSTALACIÓN DEL KIT DE ILUMINACIÓN

1. Desmonte la tapa inferior (1) del ventilador girándola en sentido antihorario.
2. Quite el tubo aislante termoreducible del conector 3 en el extremo del cuerpo del ventilador.
3. Conecte los conectores (3) entre ellos.
4. Monte la lámpara led (4) a la pieza de sujeción (2) del kit de iluminación y gírela en sentido horario para asegurarla.

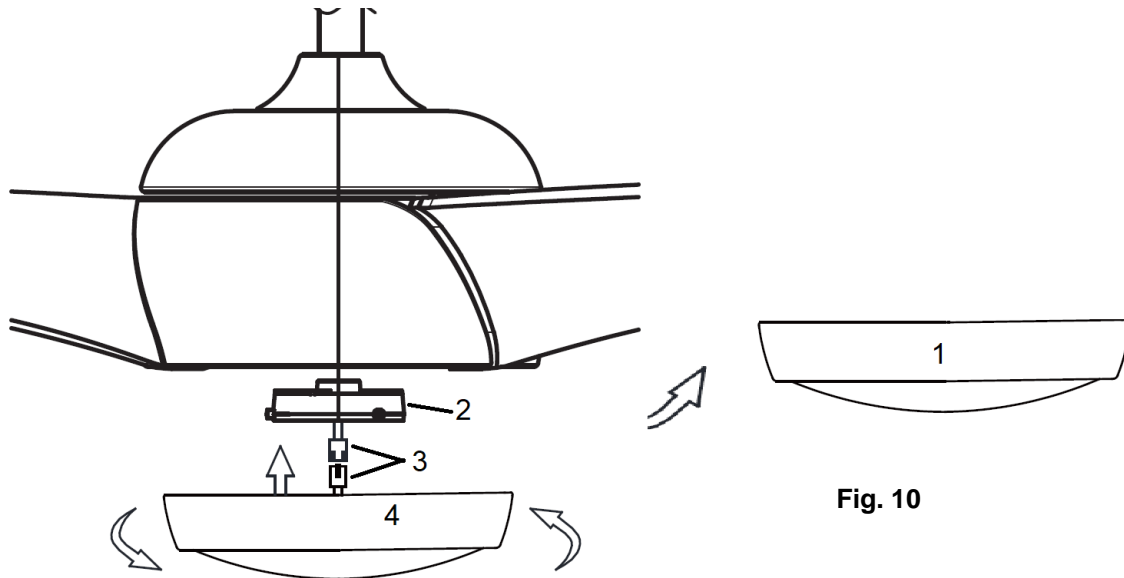


Fig. 10

USO DEL VENTILADOR DE TECHO

Conexión del transmisor y del receptor – con 2 o más ventiladores de techo DC instalados en una ubicación

Con dos o más ventiladores situados a poca distancia, puede que desee que el receptor/transmisor de cada uno tenga un código diferente, para que cada uno funcione de manera independiente.

NOTA: Asegúrese de que el receptor esté **ENCENDIDO** antes de conectar el transmisor con el receptor.

Conexión del transmisor/receptor del ventilador de techo 1:

- Apague ambos ventiladores de techo desde la alimentación del receptor.
- Ponga las 1 pilas de 3VDC en el compartimento. Asegúrese de que la polaridad de las baterías es la correcta.
- Corte la corriente del receptor 1. Mantenga el receptor 2 APAGADO. (Cada ventilador de techo debe llevar su propio interruptor de aislamiento, de manera que solo estará ENCENDIDO el ventilador de techo que tenga que conectarse con el transmisor).
- Mantenga pulsado el botón "⏻" del **transmisor 1** durante 3-5 segundos, antes de que transcurran 60 segundos después de haber apagado el receptor del ventilador de techo 1.

El ventilador se moverá ligeramente para indicar que el proceso de emparejamiento está activado.

Si el ventilador posee un kit de luz. La luz parpadeará indicando que el proceso de emparejamiento está activado.

- ENCIENDA y cambie la velocidad del ventilador 1 con el transmisor para comprobar su funcionamiento y que la conexión se ha realizado correctamente.



Ajuste del ventilador de techo DC 2:

- Apague ambos ventiladores de techo 1 y 2 desde la alimentación del receptor.
- Ponga las 1 pilas de 3VDC en el compartimento. Asegúrese de que la polaridad de las baterías es la correcta.
- Corte la corriente del receptor 2. Mantenga el receptor 1 APAGADO. (Cada ventilador de techo debe llevar su propio interruptor de aislamiento, de manera que solo estará ENCENDIDO el ventilador de techo que tenga que conectarse con el transmisor).
- Mantenga pulsado el botón "⏻" del **transmisor 1** durante 3-5 segundos, antes de que transcurran 60 segundos después de haber apagado el receptor del ventilador de techo 1.

El ventilador se moverá ligeramente para indicar que el proceso de emparejamiento está activado.

Si el ventilador posee un kit de luz. La luz parpadeará indicando que el proceso de emparejamiento está activado.

- ENCIENDA y cambie la velocidad del ventilador 2 con el transmisor para comprobar su funcionamiento y que la conexión se ha realizado correctamente.

Nota: la conexión del transmisor y receptor solo es necesaria si solo se instala un ventilador de techo. Cuando se instalen más de dos ventiladores de techo uno cerca del otro, consulte las instrucciones anteriores.

Asegúrese de instalarla en el sentido correcto de la polaridad.

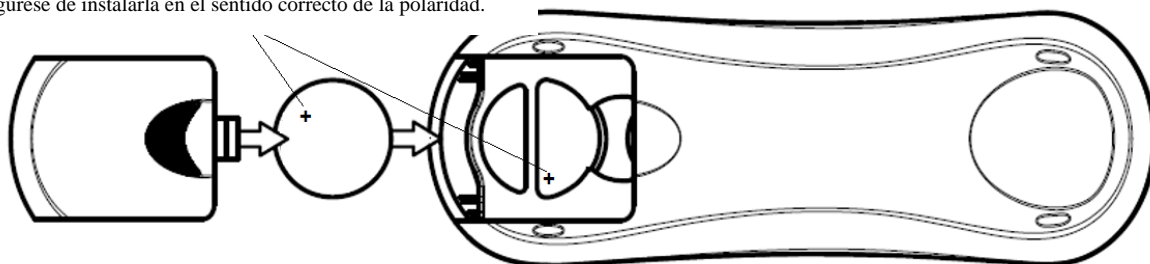


Fig. 11

Botones del mando a distancia

1 - BOTON DE CONTROL DE VELOCIDAD DEL VENTILADOR:

Hay 6 velocidades disponibles. Botón "I" para la velocidad mínima y botón "VI" para la velocidad máxima.

NOTA: CUANDO ENCIENDA EL VENTILADOR POR PRIMERA VEZ O CONECTE LA CORRIENTE AL RECEPTOR, NECESITARÁ INICIAR EL VENTILADOR CON LA VELOCIDAD MÁXIMA "VI" Y LUEGO SELECCIONAR UNA VELOCIDAD MENOR.

SE NECESITAN DE 5 A 10 SEGUNDOS PARA PERMITIR QUE EL VENTILADOR DE CC RESPONDA A LA SELECCIÓN DE CADA VELOCIDAD O DIRECCIÓN DE VENTILADOR DESDE EL MANDO AL DISTANCIA, YA QUE EL VENTILADOR DE CC INCORPORA UN CONTROL SENSOR QUE CONTROLA EL MOTOR.

2 - BOTÓN DE APAGADO DE VENTILADOR:

Pulse el botón para apagar el ventilador

3 - BOTÓN DE FUNCIÓN REVERSA:

Pulse el botón para activar la función de cambio de dirección de funcionamiento. El ventilador deberá de estar en funcionamiento para activar la función de cambio de

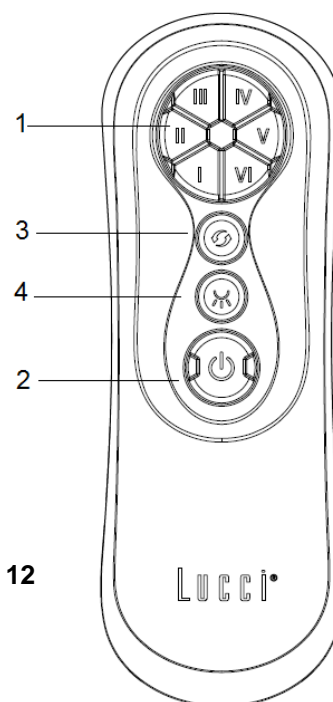


Fig. 12

dirección.

4 - BOTÓN DE CONTROL DE LUZ:

Pulse el botón para apagar y encender la luz.

EL RECEPTOR PROPORCIONA LOS SIGUIENTES NIVELES DE PROTECCIÓN CONTRA.

- Posición de bloqueo: el receptor incorpora una característica de seguridad para proteger contra obstrucciones durante el funcionamiento. El motor se parará y se desconectará de la red después de 30 segundos de interrupción. Por favor, elimine los obstáculos antes de volver a comenzar. Para reiniciar, simplemente desconecte la fuente de alimentación del motor del ventilador y vuelva a reiniciar.
- Más protección 80W: cuando el receptor detecta un consumo de energía superior a 80W, la corriente del receptor será interrumpida y el funcionamiento se parará inmediatamente. Encienda el receptor después de 5 segundos para reiniciar el ventilador. Conecte la corriente del receptor después de 5 segundos para reiniciar el ventilador.


REPARACIÓN DEL RECEPTOR DEL VENTILADOR Y CONEXIÓN DEL MANDO A DISTANCIA

En caso de que el mando y el receptor pierdan el control después de la instalación o durante el uso, deberá repararse la conexión entre el mando y el receptor. A continuación, se muestran los síntomas de funcionamiento y el método para reparar la conexión del mando a distancia y el receptor del ventilador de techo DC.

Problemas:

- Pérdida de control - el ventilador solo funciona a velocidad rápida después de la instalación
- Pérdida de control - sin función de inversión después de la instalación
- Pérdida de control - el mando no se comunica con el receptor

Solución:

- Desconecte la alimentación principal del ventilador de techo.
- Mantenga pulsado el botón  del **transmisor** durante 3-5 segundos, antes de que transcurran 60 segundos después de haber apagado el receptor del ventilador de techo.
- ENCIENDA y cambie la velocidad del ventilador con el transmisor para comprobar su funcionamiento y que la conexión se ha realizado correctamente.

TRAS LA INSTALACIÓN

BALANCEO DEL EJE:

Nota: los ventiladores de techo tienden a moverse durante su funcionamiento debido al hecho de que están montados sobre un ojal de goma. Si el ventilador se monta de forma rígida en el techo podría provocar una vibración excesiva. El movimiento de unos centímetros es bastante aceptable y no sugiere ningún problema.

PARA REDUCIR EL BALANCEO DEL EJE DEL VENTILADOR: por favor, compruebe que todos los tornillos que se fijan a la abrazadera de montaje y a la varilla vertical están seguros.

KIT DE EQUILIBRADO: se suministra un kit de equilibrado en la instalación inicial. Por favor, remítase a las

instrucciones sobre cómo usar el kit de equilibrado. Se puede usar el kit de equilibrado para ayudar a volver a equilibrarse en caso de que el ventilador de techo se vuelva a desequilibrar. Guarde el kit de equilibrado tras la instalación para su uso futuro si es necesario.

RUIDO:

Cuando todo esté silencioso (en especial por la noche) puede oír pequeños ruidos ocasionales. Las ligeras fluctuaciones de corriente y de señales de frecuencia superpuestas en la electricidad para el control de agua caliente fuera de las horas punta pueden provocar un cambio en el ruido del motor del ventilador.

Esto es normal. Por favor, deje un periodo de “instalación” de 24 horas; la mayoría de los ruidos asociados con un ventilador nuevo desaparecen durante este tiempo.

La garantía del fabricante cubre los fallos reales que pueden producirse y NO pequeñas quejas como oír el funcionamiento del motor – Todos los motores eléctricos se oyen hasta cierto punto.

CUIDADO Y LIMPIEZA

- El único mantenimiento requerido es una limpieza periódica del ventilador de techo. Use un cepillo suave o un paño sin hilos para evitar rayar el acabado de pintura. Por favor, apague la alimentación eléctrica cuando lo haga.
- No sumerja el ventilador de techo en el agua, dado que podría dañar el motor o las aspas y causar posibles descargas eléctricas.
- Asegúrese de que la luminaria no entre en contacto con limpiadores o disolventes orgánicos.
- Para limpiar las aspas del ventilador, utilice solamente un paño limpio y húmedo SIN limpiadores o disolventes orgánicos.
- El motor presenta un cojinete de bolas permanentemente lubricado. No es necesario engrasarlo.

NOTA: apague siempre la alimentación del interruptor de corriente antes de intentar limpiar el ventilador.

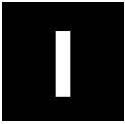
INFORMACIÓN TÉCNICA

Modelos de VENTILADOR CC SERIE NORDIC	Tensión nominal	Potencia nominal (motor)	Potencia nominal (Lámpara)	Batería para el mando a distancia
NORDIC	220-240VAC	35W	Led, 3000 K, 20 W	1 X 3VDC CR2032

INFORMACIÓN SOBRE LA GARANTÍA

EN AUSTRALIA / NUEVA ZELANDA – Por favor remítase a la DECLARACIÓN DE GARANTÍA separada.

EN EUROPA – Si es un cliente europeo, por favor póngase en contacto con el establecimiento donde adquirió el ventilador para el servicio de garantía.



CONGRATULAZIONI PER IL VOSTRO ACQUISTO

Congratulazioni per aver acquistato il prodotto più recente tra i ventilatori da soffitto a risparmio d'energia. Questo ventilatore funziona a CC (corrente continua) con il vantaggio che è super efficiente dal punto di vista energetico, pur mantenendo un alto volume di spostamento d'aria ed un funzionamento silenzioso.

Risparmio energetico – Il motore a corrente continua è la tecnologia più recente nella progettazione di ventilatori. Il suo motore altamente efficiente fa risparmiare più del 65% d'energia rispetto ai ventilatori da soffitto con i tradizionali motori a corrente alternata.

Funzionamento silenzioso – questo motore a corrente continua per ventilatore è programmato con una corrente stabilizzata che riduce in maniera efficiente il rumore del motore.


Bassa temperatura di funzionamento – L'alimentazione a corrente continua viene gestita in modo efficiente, il che abbassa la temperatura di funzionamento del motore a meno di 50 gradi. Ciò risulta in un motore molto più fresco di un ventilatore standard a corrente alternata ed aumenta la vita del motore.

Telecomando a 6 velocità, i normali ventilatori da soffitto a corrente alternata di solito hanno solo 3 velocità, questo ventilatore a corrente continua viene con un telecomando a 6 velocità, il che dà una più ampia scelta di livelli di comodità.

PRECAUZIONI DI SICUREZZA

- 1) Europa: Questo elettrodomestico può essere usato dai bambini dagli 8 anni in su e da persone con ridotte capacità fisiche, sensoriali o mentali o con mancanza d'esperienza e conoscenza, se sono controllate o se vengono loro date istruzioni sull'uso sicuro dell'elettrodomestico e ne comprendono i pericoli. La pulizia e la manutenzione non dovrebbero essere fatte da bambini senza supervisione.
- 2) Australia: Questo elettrodomestico non è inteso per l'uso da parte di bambini piccoli o da persone inferme, salvo esse siano adeguatamente controllate da una persona responsabile per assicurarsi che sappiano usare l'elettrodomestico in modo sicuro.
- 3) I bambini dovrebbero essere controllati per assicurarsi che non giochino con l'elettrodomestico.
- 4) Deve essere incorporato nel cablaggio fisso un sezionatore onnipolare secondo i regolamenti di cablaggio.



- 5)  Non smaltite gli elettrodomestici come rifiuti cittadini non differenziati, usate le strutture di raccolta differenziata. Contattate il vostro governo locale per ottenere informazioni relativamente ai sistemi di raccolta disponibili. Se gli elettrodomestici sono smaltiti in discariche, delle sostanze pericolose possono percolare nelle falde acquifere ed inserirsi nella catena alimentare, recando danni alla vostra salute e benessere.
- 6) La struttura su cui deve essere montato il ventilatore deve essere in grado di sostenere un peso di 40kg.
- 7) In Europa il ventilatore dovrebbe essere montato in modo che le pale si trovino ad almeno **2,3** metri al di sopra del pavimento.
- 8) In Australia il ventilatore dovrebbe essere montato in modo che le pale si trovino ad almeno **2,1** metri al di sopra del pavimento.
- 9) Questo ventilatore è adatto ad aree interne ed esterne, purché il ventilatore sia totalmente protetto da una copertura con almeno 2 pareti. Questo ventilatore deve essere posizionato in un luogo protetto da acqua, vento, polvere e sale. L'esposizione a tali elementi annulla la garanzia. Il montaggio del ventilatore in condizioni in cui è soggetto ad acqua o umidità è pericoloso.
- 10) L'installazione dovrebbe essere eseguita solo da un elettricista autorizzato.

ELENCO DELLE PARTI

Disimballate il vostro ventilatore e verificate il contenuto. Dovreste avere quanto segue:

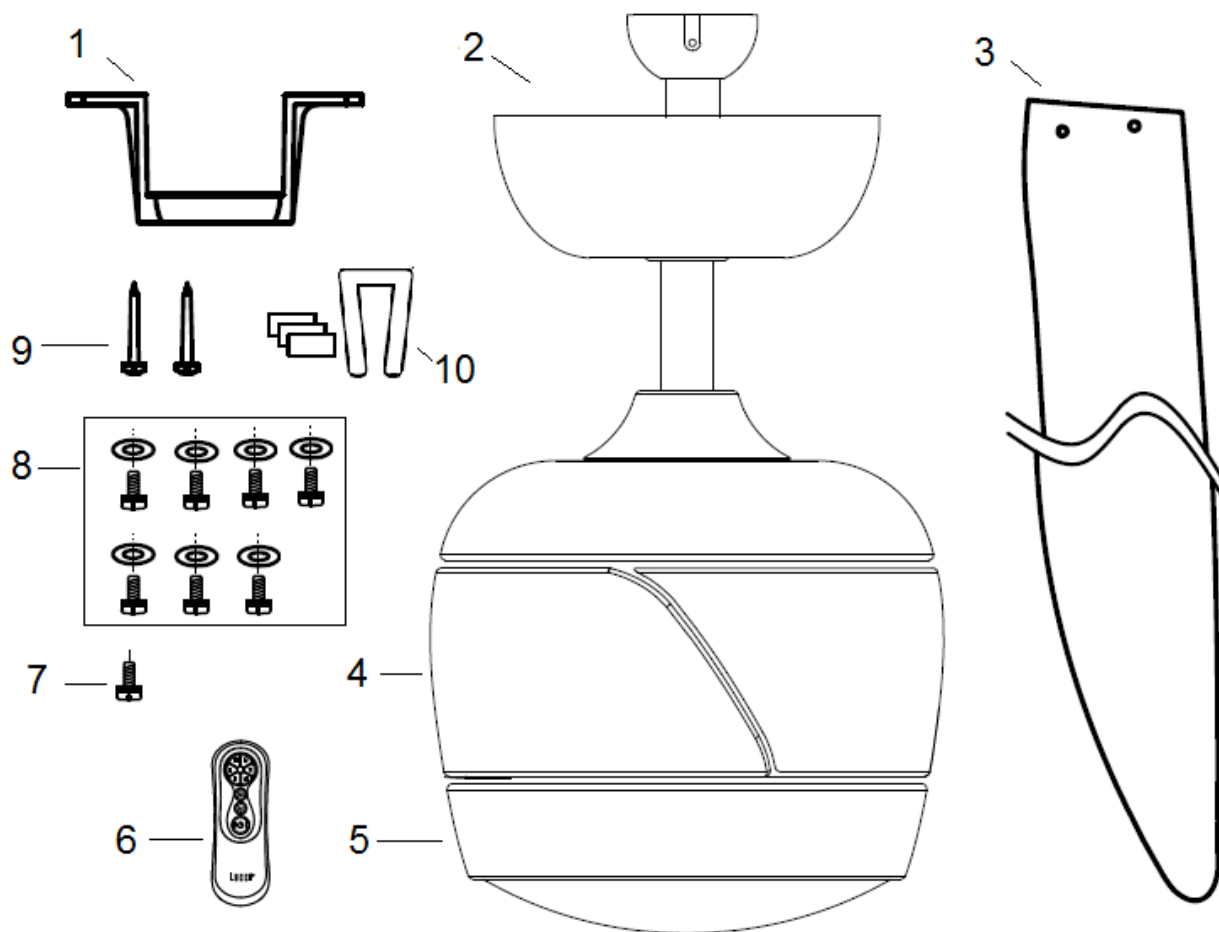


Fig. 1

- | | | | |
|---|--|----|---------------------------------------|
| 1 | Staffa di montaggio x 1 | 6 | Telecomando con supporto x 1 set |
| 2 | Gruppo ventilatore con copri-gancio, asta, calotta e copri-calotta x 1 | 7 | Viti per motore x 7 |
| 3 | Pale x 3 | 8 | Viti per pala con rondella piatta x 7 |
| 4 | Porta-pale x 3 | 9 | Viti per legno x 2 |
| 5 | Copertura inferiore x 1
Kit luce LED x 1 | 10 | Kit di bilanciamento x 1 set |



INSTALLAZIONE DELLA STAFFA DI MONTAGGIO

Il ventilatore da soffitto deve essere installato in una posizione tale che vi siano 300 mm di spazio dalla punta della pala all'oggetto o al muro più vicino.

Assicurate, con le due viti lunghe fornite, la staffa di sospensione alla trave del soffitto o ad una struttura che sia in grado di sostenere un carico di almeno 30 kg. Assicuratevi che almeno 30mm della vite siano avvitate nel supporto.

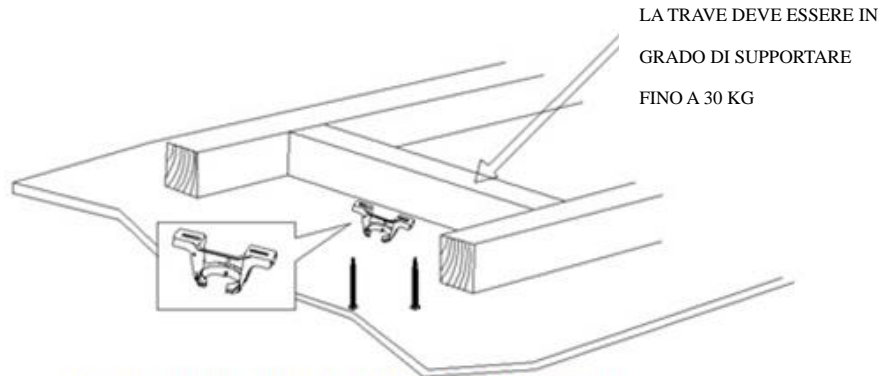


Fig. 2

NOTA: L'IMMAGINE È A SOLO SCOPO ILLUSTRATIVO E NON RAPPRESENTA LA STAFFA REALE

NOTA: Le viti della staffa fornite sono per utilizzo solo su strutture in legno. Per strutture diverse dal legno DEVONO essere utilizzate le viti adeguate.

INSTALLAZIONE SU SOFFITTO INCLINATO

Questo sistema di ventilatore sospeso tollera un'installazione su un soffitto inclinato di massimo 15 gradi.

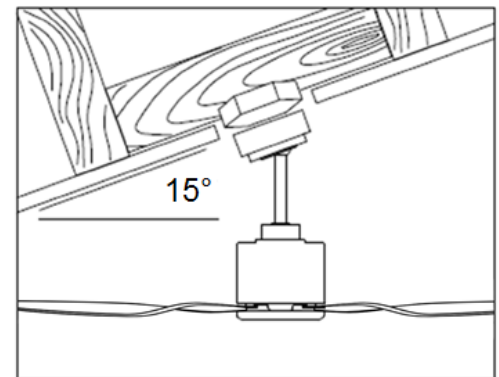


Fig. 3



INSTALLAZIONE DEL VENTILATORE

Solleverre il gruppo ventilatore sulla staffa di montaggio. Assicuratevi che la tacca della sfera di sospensione sia posizionata sul fermo della staffa di montaggio per impedire al ventilatore di ruotare quando in funzione. (Fig.4)



Fig. 4

PREPARARE E COMPLETARE IL CABLAGGIO ELETTRICO

AVVERTENZA: PER LA VOSTRA SICUREZZA, TUTTE LE CONNESSIONI ELETTRICHE DEVONO ESSERE ESEGUITE DA UN ELETTRICISTA AUTORIZZATO.

NOTA: NEL CABLAGGIO FISSO DEVE ESSERE INCLUSO UN SEZIONATORE ONNIPOLARE AGGIUNTIVO. ASSICURATEVI CHE L'INTERRUTTORE PRINCIPALE SIA STATO SPENTO PRIMA DI EFFETTUARE LE CONNESSIONI.

NOTA: SE SONO INSTALLATI DUE O PIÙ VENTILATORI DA SOFFITTO A CORRENTE CONTINUA NELLA STESSA LOCAZIONE, È RICHIESTO UN INTERRUTTORE DI ISOLAMENTO PER OGNI VENTILATORE A SOFFITTO. CIÒ È RICHIESTO QUANDO SI PROGRAMMA L'ACCOPIAMENTO DEL TELECOMANDO E DEL RICEVITORE..

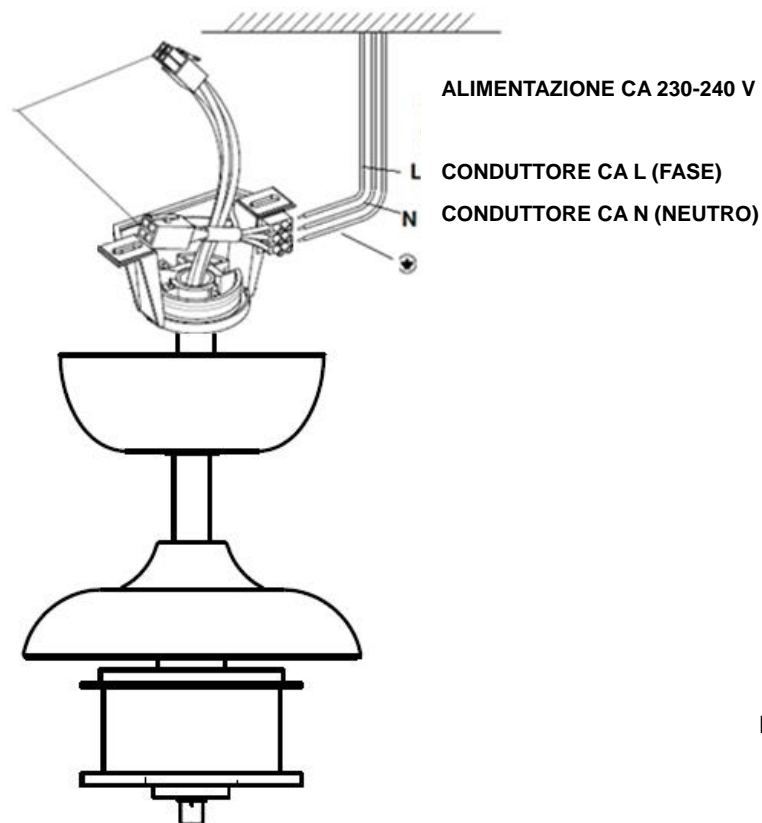


Fig. 5



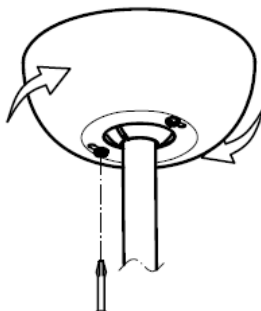
COMPLETAMENTO DELL'INSTALLAZIONE

INSTALLAZIONE DEL COPERCHIO DELLA CALOTTA

Allentate le 2 viti dal fondo della staffa di montaggio. Figura 6

Fate scivolare la calotta fino alla staffa di montaggio e mettete il foro sulla calotta direttamente sulla vite sulla staffa di montaggio, girate la calotta fino a che si blocca al suo posto nella sezione stretta dei fori ed assicuratela stringendo le due viti predisposte. Evitate di danneggiare i fili elettrici predisposti.

Fig. 6



INSTALLAZIONE DELLE PALE

- Allentare i 3 porta-pala dal motore.
- Fissare la pala al porta-pala serrando le 2 viti per pala con rondella. Fig.7
- Ripetere l'operazione per installare le altre pale sui rispettivi porta-pala.
- Installare il gruppo pale sul motore serrando le 2 viti per motore. Fig.8
- Infine, installare la copertura inferiore sul supporto della lampada ruotandola in senso orario. Fig.9

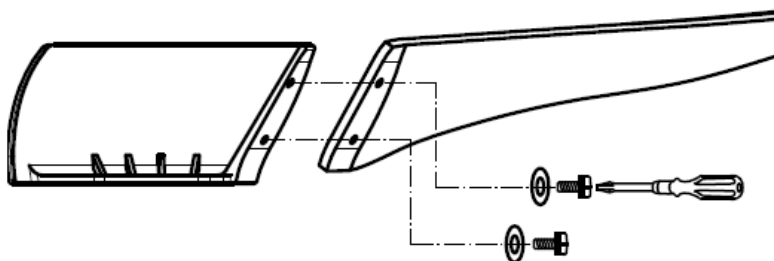


Fig. 7

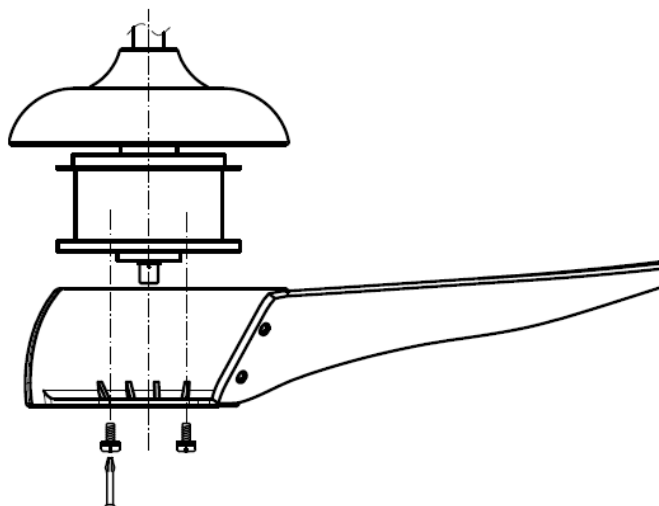


Fig. 8

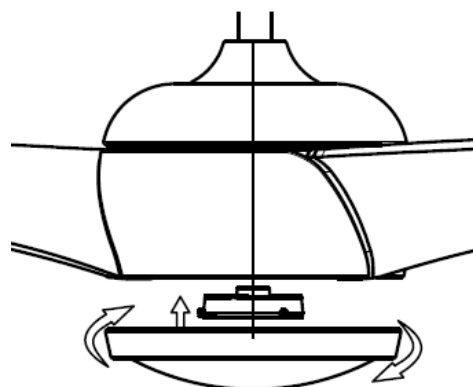


Fig. 9



INSTALLAZIONE DEL KIT LUCE

1. Rimuovere la copertura inferiore (1) dal corpo del ventilatore ruotandolo in senso antiorario.
2. Rimuovere il tubo isolante termoretraibile dal connettore (3) all'estremità del corpo del ventilatore.
3. Collegare i connettori (3).
4. Fissare la lampada LED (4) al supporto della lampada (2) e bloccarlo ruotandolo in senso orario.

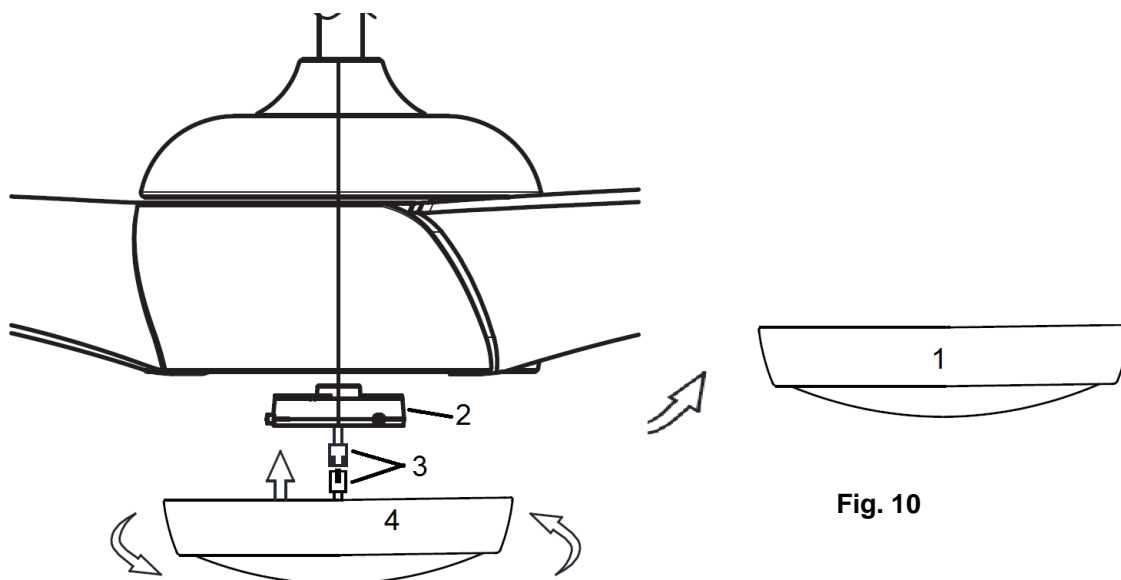


Fig. 10

UTILIZZO DEL VOSTRO VENTILATORE A SOFFITTO

Associare il trasmettitore al ricevitore – quando si installano 2 o più ventilatori a soffitto alimentati CC

Quando si installano due o più ventilatori vicini, potrebbe essere necessario di avere il ricevitore/trasmettitore per ogni singolo ventilatore impostato a un codice diverso, in modo che il funzionamento di un ventilatore non influenzi il funzionamento dell'altro o degli altri.

NOTA: Assicurarsi che il ricevitore sia in posizione **ON** prima di associare il trasmettitore al ricevitore.

Associazione trasmettitore/ricevitore per 1 ventilatore a soffitto:

- Spegnere entrambe i ventilatori a soffitto 1 e 2 interrompendo l'alimentazione al ricevitore.
- Inserire le 1 batterie da x 3VDC nell'apposito compartimento. Assicurarsi di rispettare la corretta polarità della batteria.
- Attivare l'alimentazione al ricevitore 1. Mantenere il ricevitore 2 in posizione OFF. (Ogni singolo ventilatore deve avere il proprio interruttore di isolamento in modo che solo il ventilatore da associare al trasmettitore abbia l'interruttore su ON).
- Tenere premuto il pulsante "⏻" sul **trasmettitore 1** per 3-5 secondi nei 60 secondi in cui si commuta l'alimentazione al ricevitore del ventilatore 1.

Il ventilatore si muoverà leggermente e si fermerà, a indicare che il processo di abbinamento è iniziato.

Se il ventilatore è dotato di lampada, la lampada si accenderà e si spegnerà, a indicare che il processo di abbinamento è iniziato.

- Posizionare l'interruttore su ON e modificare la velocità del ventilatore 1 tramite il trasmettitore per verificarne il funzionamento e la corretta associazione.

Impostare il ventilator a soffitto 2 alimentato CC:

- Spegnerne entrambe i ventilatori 1 e 2 tramite l'interrompendo l'alimentazione al ricevitore.
- Inserire le 1 batterie da x 3VDC nell'apposito compartimento. Assicurarsi di rispettare la corretta polarità della batteria.
- Attivare l'alimentazione al ricevitore 2. Mantenere il ricevitore 1 in posizione OFF. (Ogni singolo ventilatore deve avere il proprio interruttore di isolamento in modo che solo il ventilatore da associare al trasmettitore abbia l'interruttore su ON).

- Tenere premuto il pulsante "⏻" sul **trasmettitore 2** per 3-5 secondi nei 60 secondi in cui si commuta l'alimentazione al ricevitore del ventilatore 2.

Il ventilatore si muoverà leggermente e si fermerà, a indicare che il processo di abbinamento è iniziato.

Se il ventilatore è dotato di lampada, la lampada si accenderà e si spegnerà, a indicare che il processo di abbinamento è iniziato.

- Posizionare l'interruttore su ON e modificare la velocità del ventilatore 1 tramite il trasmettitore per verificarne il funzionamento e la corretta associazione.

Nota: L'associazione di trasmettitore e ricevitore è richiesta se si installa un solo ventilatore. Quando si installano due ventilatori uno vicino all'altro fare riferimento alle istruzioni sopra indicate.

Assicurarsi che la polarità della batteria sia corretta.

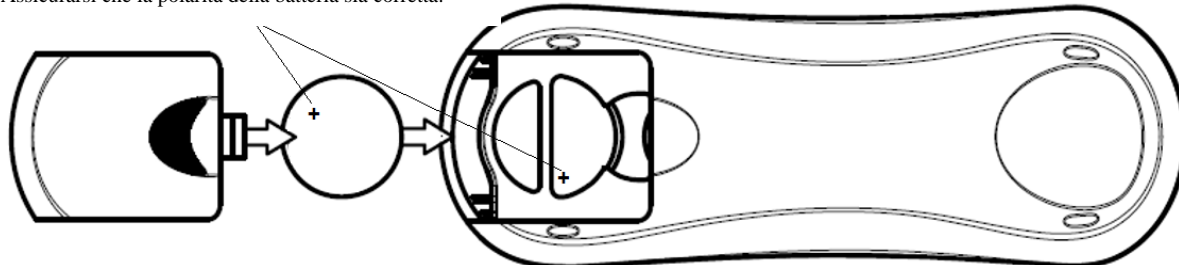


Fig. 11



Pulsanti telecomando

1 - PULSANTE DI CONTROLLO DELLA VELOCITÀ DEL VENTILATORE:

Sono disponibili 6 velocità. “I” è il pulsante per la velocità più bassa, e “VI” è il pulsante per la velocità più alta.

NOTA: QUANDO SI ACCENDE IL VENTILATORE LA PRIMA VOLTA O SI ATTIVA L'ALIMENTAZIONE PRINCIPALE AL CONTROLLER, BISOGNA AVVIARE IL VENTILATORE PRIMA A VELOCITÀ ALTA “VI”, QUINDI SCEGLIERE UNA VELOCITÀ INFERIORE.

SONO NECESSARI 5-10 SECONDI PER CONSENTIRE AL VENTILATORE DC DI RISPONDERE AGLI ORDINI DEL TELECOMANDO, DAL MOMENTO CHE IL VENTILATORE DC INCORPORA UN SENSORE CHE CONTROLLA L'ALIMENTAZIONE AL MOTORE.

2 - PULSANTE DI SPEGNIMENTO DEL VENTILATORE:

Premere il pulsante per spegnere il ventilatore

3 - PULSANTE DI INVERSIONE:

Premere il pulsante per invertire il senso di rotazione. Il ventilatore deve essere in funzione per attivare la funzione di inversione.

4 - PULSANTE DI CONTROLLO DELLA LUCE:

Premere il tasto per accendere/spegnere la luce.

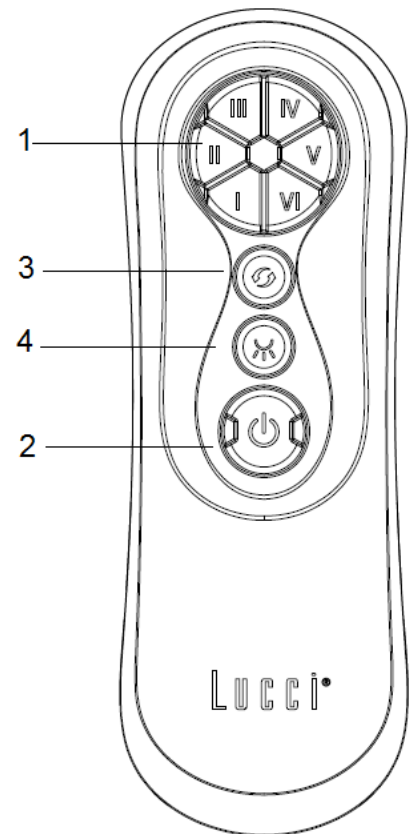


Fig. 12

IL RICEVITORE FORNISCE IL SEGUENTE LIVELLO DI PROTEZIONI

- Posizione di blocco: il ricevitore è dotato di un dispositivo di sicurezza per la protezione contro l'ostruzione durante il funzionamento. Il motore sarà bloccato e scollegato dall'alimentazione dopo 30 secondi di interruzione. Si prega di rimuovere gli ostacoli prima di riavviare. Per ripristinare, è sufficiente spegnere l'alimentazione del motore del ventilatore e riavviare.
- Protezione oltre gli 80W: quando il ricevitore rileva che il consumo energetico è maggiore di 80W, l'alimentazione del ricevitore verrà interrotta e il ventilatore si fermerà immediatamente. Accendere il ricevitore dopo 5 secondi per riavviare il ventilatore.

RIPRISTINARE L'ASSOCIAZIONE RICEVITORE E TELECOMANDO DEL VENTILATORE

Qualora il telecomando e il ricevitore dovessero perdere il controllo dopo l'installazione o durante l'uso, è necessario ripristinare l'associazione del ricevitore e del telecomando. Qui di seguito le condizioni di funzionamento e i metodi di ripristino del ricevitore e del telecomando relativi al ventilatore a soffitto alimentato CC.

Problemi:

- Perdita di controllo – In seguito all'installazione il ventilatore funziona solo a velocità massima
- Perdita di controllo – Non è possibile invertire la marcia del ventilatore in seguito all'installazione
- Perdita di controllo – Il telecomando non comunica con il ricevitore

Soluzioni:

- Disattivare l'alimentazione generale del ventilatore.
- Tenere premuto il pulsante "⏻" sul **trasmettitore** per 3 secondi nei 60 secondi in cui si commuta l'alimentazione al ricevitore del ventilatore.
- Accendere il ventilatore e modificare la velocità attraverso il trasmettitore per controllare il corretto funzionamento dell'associazione.

DOPO L'INSTALLAZIONE

OSCILLAZIONE:

Nota: I ventilatori a soffitto tendono a muoversi durante il funzionamento a causa del fatto che sono montati su un anello di gomma. Se il ventilatore fosse montato in modo rigido al soffitto questo causerebbe una vibrazione eccessiva. Un movimento di alcuni centimetri è alquanto accettabile e non indica alcun problema.

PER RIDURRE L'OSCILLAZIONE DEL VENTILATORE: Vogliate controllare che tutte le viti che fissano la staffa di montaggio e l'asta discendente siano ben strette.

KIT DI BILANCIAMENTO: Viene fornito un kit di bilanciamento per equilibrare il ventilatore a soffitto all'atto dell'installazione iniziale. Vogliate far riferimento alle istruzioni su come usare il kit di bilanciamento. Il kit di bilanciamento può essere usato per aiutare il ribilanciamento se il ventilatore a soffitto dovesse andare di nuovo fuori bilanciamento. Conservate il vostro kit di bilanciamento dopo l'installazione per uso futuro, se necessario.

RUMORE:

Quando vi è silenzio (specialmente di notte) potreste udire occasionalmente dei piccoli rumori. Leggere fluttuazioni di corrente e segnali di frequenza superimposti nell'elettricità per il controllo dell'acqua calda fuori picco, possono causare un cambiamento nel rumore del motore del ventilatore.

Ciò è normale. Vogliate attendere un periodo di 24 ore di "assestamento"; la maggior parte dei rumori associati ad un nuovo ventilatore spariscono durante questo periodo di tempo. Ciò è normale. Vogliate attendere un periodo di 24 ore di "assestamento"; la maggior parte dei rumori associati ad un nuovo ventilatore spariscono durante questo periodo di tempo.

La garanzia del produttore copre guasti effettivi che possono svilupparsi e NON reclami minori quali l'udire il funzionamento del motore – Tutti i motori elettrici sono udibili in qualche misura.

CURA E PULIZIA

- La pulizia periodica del vostro ventilatore a soffitto è la sola manutenzione richiesta. Usate una spazzola soffice od un panno non peloso per evitare di graffiare la finitura a vernice. Vogliate scollegare l'alimentazione elettrica quando lo fate.
- Non immergere il ventilatore nell'acqua per evitare danni al motore o alle pale e il rischio di scossa elettrica.
- Assicurarsi che la lampada non entri a contatto con detergenti o solventi organici.
- Per pulire le pale del ventilatore, usare esclusivamente un panno pulito e umido **SENZA** detergenti o solventi organici.
- Il motore ha un cuscinetto a sfera lubrificato in modo permanente. Non vi è alcun necessità di oliare.

NOTA: Spegnete sempre l'alimentazione all'interruttore di rete prima di tentare di pulire il vostro ventilatore.

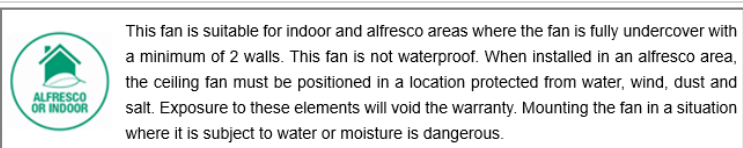
INFORMAZIONI TECNICHE

Modelli VENTILATORI A CORRENTE CONTINUA NORDIC	Tensione nominale	Alimentazione nominale (motore)	Potenza nominale (Lampada)	Batteria per telecomando
NORDIC	220-240V CA	35W	LED, 3000 K, 20 W	1 X 3VDC CR2032

INFORMAZIONI SULLA GARANZIA

IN AUSTRALIA / NUOVA ZELANDA – Vogliate far riferimento alla separata DICHIARAZIONE DI GARANZIA.

IN EUROPA – Se siete un cliente europeo vogliate contattare il dettagliante dove è stata comprato il ventilatore per la manutenzione in garanzia.





GEFELICITEERD MET UW AANKOOP

Gefeliciteerd met de aankoop van de nieuwste generatie energiezuinige plafondventilatoren. Deze ventilator draait op DC (gelijkstroom), wat hem het voordeel geeft super energiezuinig te zijn, met behoud van een hoog volume aan luchtbewegingen en fluisterstille werking.


Energiebesparing - De DC-motor is de nieuwste technologie in ventilatorontwerp. De uiterst efficiënte motor bespaart tot 65% meer energie dan bij plafondventilatoren met traditionele AC-motoren.

Fluisterstille werking - deze DC-ventilatormotor is geprogrammeerd met een gestabiliseerde stroom die het motorgeluid efficiënt reduceert.

Geringe opwarming tijdens werking - De gelijkstroom wordt effectief beheerd waardoor de temperatuur van de motor slechts oploopt tot minder dan 50 graden. Dit resulteert in een veel koelere motor dan bij een standaard AC-ventilator en verhoogt de levensduur van de motor.

Afstandsbediening voor zes snelheden, AC-plafondventilatoren beschikken meestal over slechts 3 snelheden, deze DC-ventilator wordt compleet geleverd met een afstandsbediening voor 6 snelheden, welke een grotere keuze van comfort geven.

VEILIGHEIDSVOORSCHRIFTEN

- 1) Europa: Dit apparaat kan worden gebruikt door kinderen van 8 jaar en ouder en personen met verminderde lichamelijke, zintuiglijke of verstandelijke vermogens of gebrek aan ervaring en kennis, indien zij onder toezicht staan of, op een veilige manier, worden geïnstrueerd over het gebruik van het apparaat en de mogelijke gevaren begrijpen. Schoonmaak en onderhoudswerkzaamheden mogen niet door kinderen worden uitgevoerd zonder toezicht.
- 2) Australië: Dit apparaat is niet bedoeld voor gebruik door jonge kinderen of zwakke personen, tenzij zij op adequate wijze onder toezicht zijn van een verantwoordelijk persoon om ervoor te zorgen dat ze het toestel veilig kunnen gebruiken.
- 3) Kinderen moeten onder toezicht staan om ervoor te zorgen dat ze niet met het apparaat spelen.
- 4) Een meerpolige schakelaar (om het apparaat uit te schakelen) moet in de vaste bedrading worden opgenomen in overeenstemming met de bedradingsregels.
- 5)  Gooi elektrische apparaten niet als ongesorteerd afval weg, gebruik hiervoor de gescheiden inzamelingsfaciliteiten. Neem contact op met uw lokale overheid voor informatie over de mogelijke inzamelsystemen. Indien elektrische apparaten achtergelaten worden op stortplaatsen, kunnen gevaarlijke stoffen in het grondwater lekken en in de voedselketen terechtkomen, met gevaar voor uw gezondheid en welzijn.
- 6) De structuur waaraan de ventilator gemonteerd wordt, moet geschikt zijn voor een gewicht van 40 kg.
- 7) De ventilator moet zo worden gemonteerd dat de ventilatorbladen zich minstens **2,3** meter boven de grond bevinden (voor Europa).
- 8) De ventilator moet zo worden gemonteerd dat de ventilatorbladen zich minstens **2,1** meter boven de grond bevinden (voor Australië).
- 9) Deze ventilator is geschikt voor binnen en buiten op voorwaarde dat de ventilator zich volledig onder een afdekking met minimaal 2 wanden bevindt. De plafondventilator moet worden geïnstalleerd op een plek die beschermd is tegen water, wind, stof en zout. Bij blootstelling aan deze elementen vervalt de garantie. Het is gevaarlijk de ventilator op een plek te installeren waar het is blootgesteld aan water of vocht.
- 10) Installatie mag enkel gebeuren door een erkend installateur.

ONDERDELENLIJST

Pak de ventilator uit en controleer de inhoud. U moet de volgende onderdelen hebben:

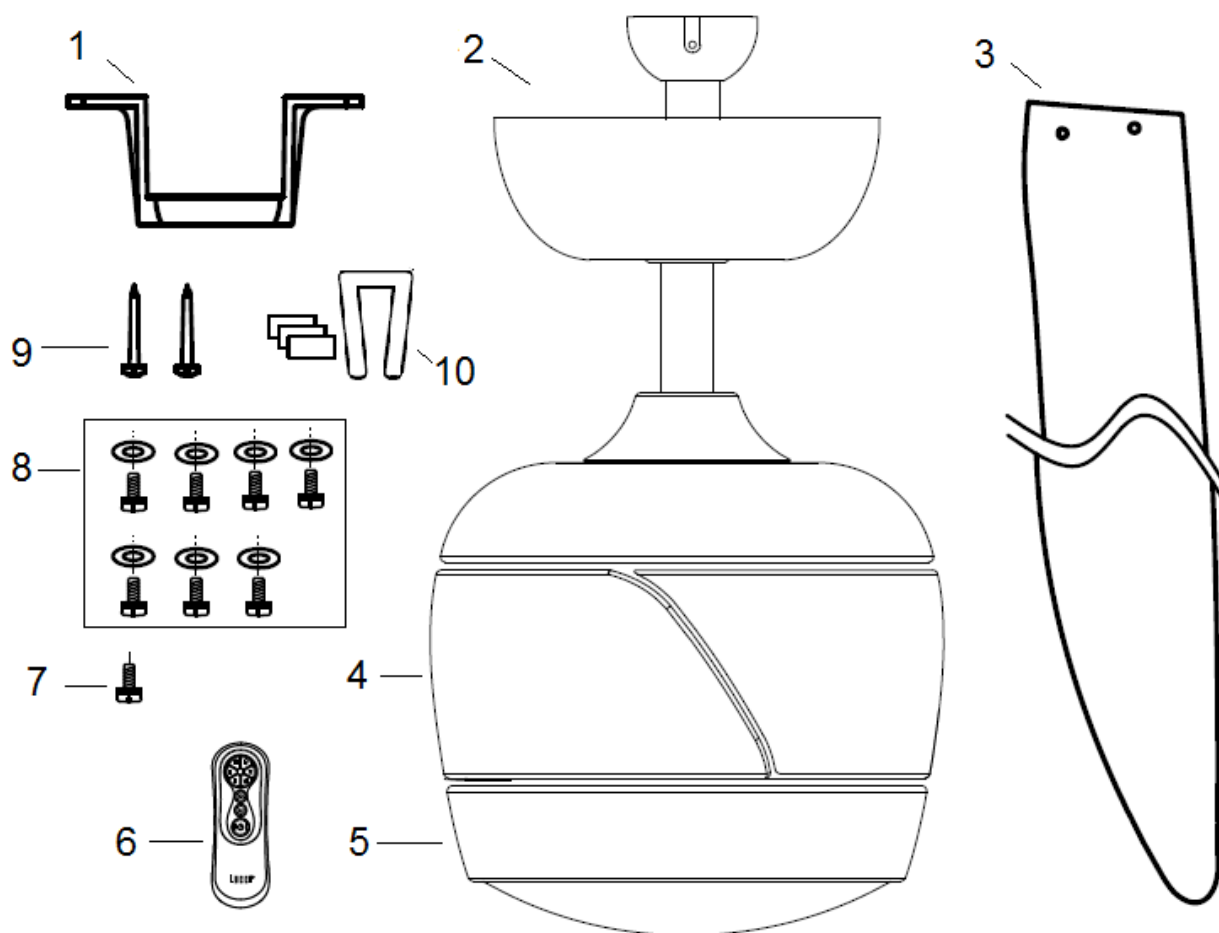


Fig. 1

- | | | | |
|---|---|----|--------------------------------------|
| 1 | Montagebeugel x 1 | 6 | Afstandsbediening met houder x 1 set |
| 2 | Ventilatoreenheid met hangerafdekking, verticale stang en overkapping x 1 | 7 | Motorschroef x 7 |
| 3 | Blad x 3 | 8 | Bladschroeven met platte ring x 7 |
| 4 | Bladhouder x 3 | 9 | Houten schroef x 2 |
| 5 | Onderafdekking x 1
LED-lichtmodule x 1 | 10 | Balans kit x 1 set |



INSTALLATIE VAN DE MONTAGEBEUGEL

De plafondventilator moet zo geïnstalleerd worden dat de top van de ventilatorbladen 300mm verwijderd is van het dichtsbijzijnde object of muur.

Bevestig de montagebeugel met de twee voorziene lange schroeven, aan een plafondbalk of een structuur die in staat is een last van 30kg te dragen. Zorg ervoor dat tenminste 30mm van de schroefdraad in de ondersteuning verdwijnt.

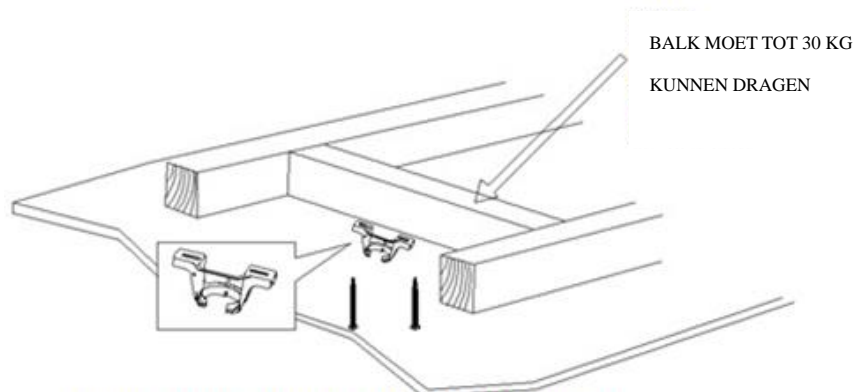


Fig. 2

OPMERKING: DEZE AFBEELDING IS SLECHTS EEN SCHEMATISCHE VOORSTELLING EN IS GEEN NAUWKEURIGE WEERGAVE VAN DE DAADWERKELIJKE BEUGEL

OPMERKING: De bijgeleverde beugelschroeven zijn enkel geschikt voor houten structuren. Voor andere structuren MOETEN de geschikte schroeven gebruikt worden.

INSTALLATIE SCHUINE STAND

Dit plafond ophangstelsel is geschikt voor een schuine installatie tot maximaal 15 graden.

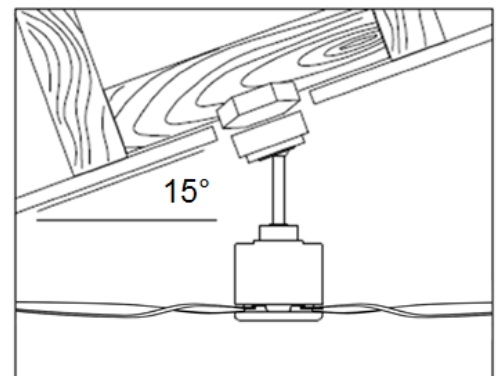


Fig. 3



VENTILATOR OPHANGEN

Til de ventilator op de montagebeugel. Zorg ervoor dat de registratie gleuf van hanger kogel **overeenstemt** met de stop van montagebeugel om zo te voorkomen dat de ventilator draait tijdens gebruik. (Fig. 4)

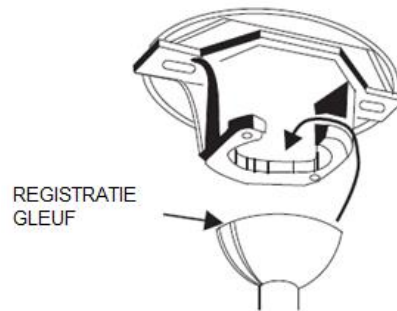


Fig. 4

VOORBEREIDING EN AFWERKING VAN DE ELEKTRISCHE BEDRADING

WAARSCHUWING: VOOR UW VEILIGHEID MOETEN ALLE ELEKTRISCHE AANSLUITINGEN DOOR EEN ERKENDE ELLEKTRICIEN WORDEN UITEGEVOERD.

OPGELET: EEN EXTRA MEERPOLIGE SCHAKELAAR MOET OPGENOMEN WORDEN IN DE VASTE BEDRADING. ZORG ERVOOR DAT DE HOOFDSCHAKELAAR UITGESCHAKELD IS VOORALEER AAN TE SLUITEN.

OPMERKING: ALS ER TWEE OF MEER DC-PLAFONDVENTILATOREN GEÏNSTALLEERD ZIJN IN ÉÉN LOCATIE, IS ER EEN APARTE WERKSCHAKELAAR NODIG VOOR ELKE VENTILATOR. DIT IS NOODZAKELIJK WANNEER DE AFSTANDBEDIENING EN DE ONTVANGER GEKOPPELD WORDEN.

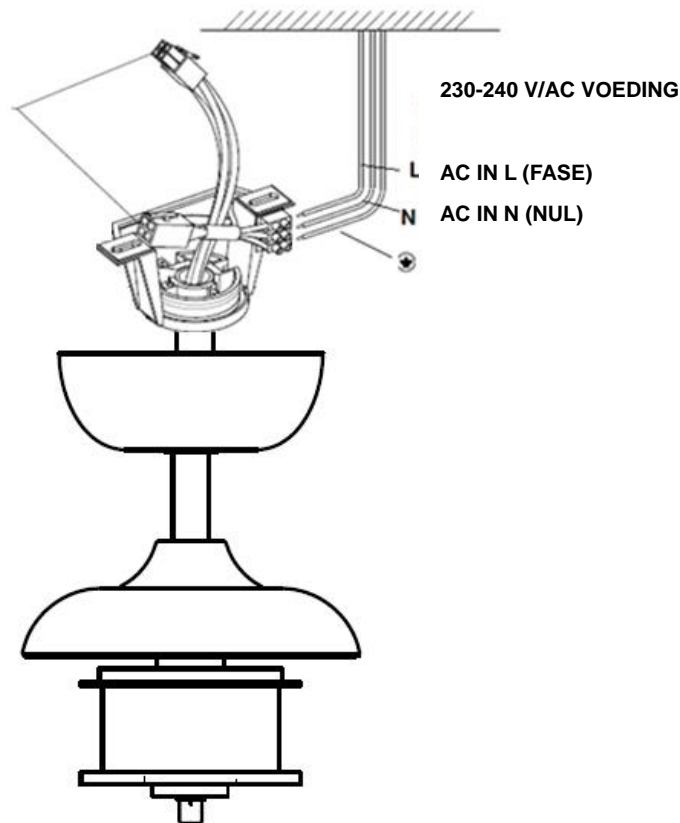


Fig. 5



DE INSTALLATIE AFRONDEN

INSTALLATIE VAN DE COVER VOOR DE OVERKAPPING

- Draai de 2 schroeven aan de onderkant van de montagebeugel los. Fig. 6
- Schuif de overkapping tot aan de bevestigingsbeugel en plaats het sleutelgat op de overkapping over de schroef op de montagebeugel, draai de overkapping totdat deze vastklikt op het smalle gedeelte van de sleutelgaten en draai deze vast met de twee stes schroeven. Voorkom schade aan de eerder voorbereide elektrische bedrading.

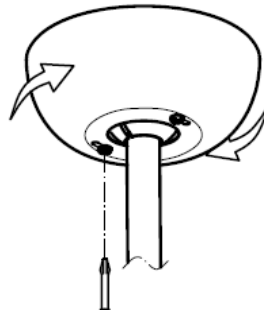


Fig. 6

INSTALLATIE BLADEN

- Verwijder de 3 bladhouders van de motoreenheid.
- Bevestig het blad op de bladhouder met behulp van de 2 bladschroeven met bijbehorende ringen. Fig.7
- Herhaal deze procedure om ook de andere bladen aan de bladhouders te bevestigen.
- Monteer de zojuist geassembleerde bladen op de motoreenheid met behulp van de 2 motorschroeven. Fig.8
- Monteer tot slot de onderafdekking op de lampbeugel door deze er rechtsom op te draaien. Fig.9

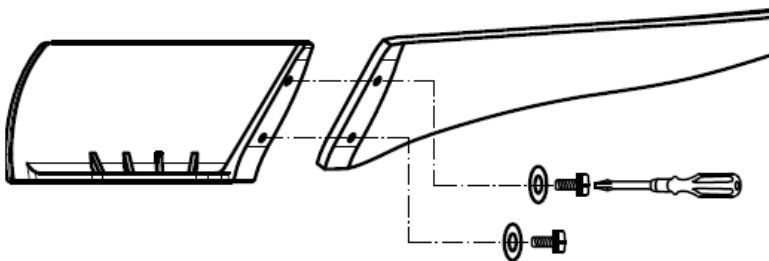


Fig. 7

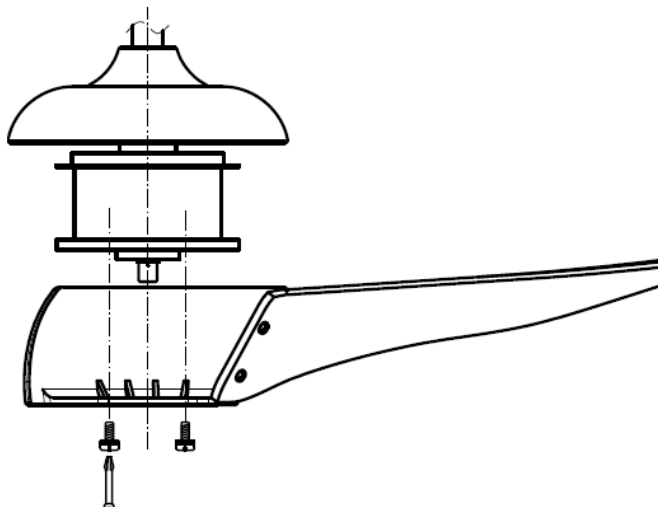


Fig. 8

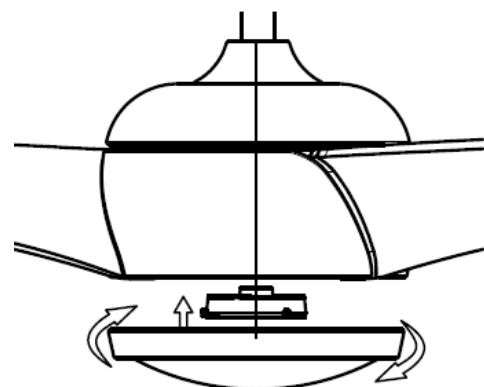


Fig. 9



INSTALLATIE VAN DE LICHTMODULE

1. Verwijder het onderste deksel (1) van de behuizing van de ventilator door het tegen de klok in te draaien.
2. Verwijder de krimpkous van de connector (3) aan het uiteinde van de ventilatorbehuizing.
3. Maak de connectoren (3) aan elkaar vast.
4. Maak de LED-lamp (4) vast aan de lampbeugel (2) door het met de klok mee te draaien.

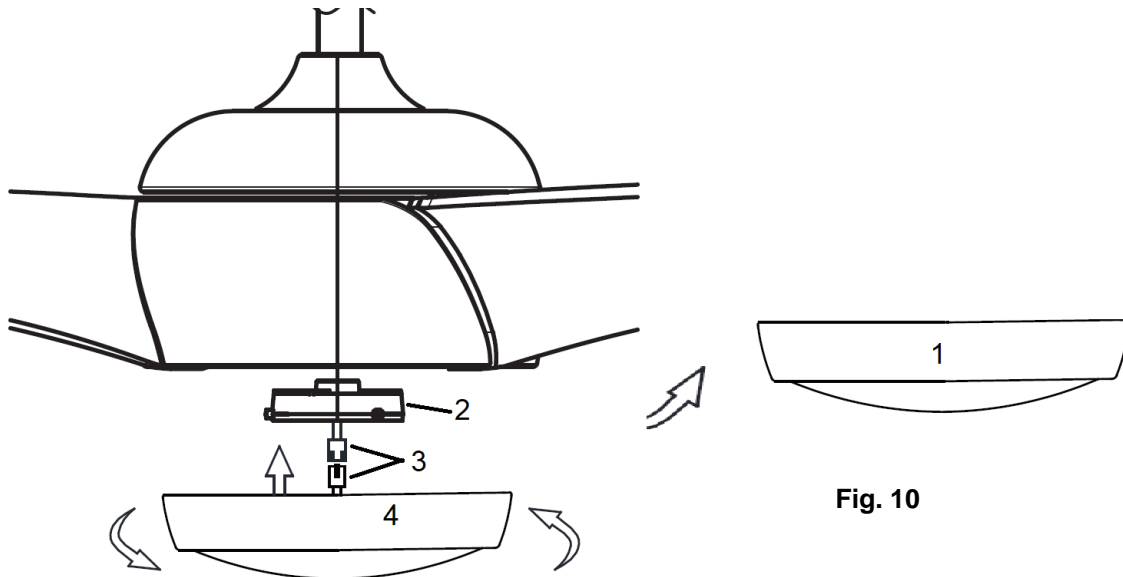


Fig. 10

GBRUIK VAN UW PLAFONDVENTILATOR

Koppelen van zender en ontvanger – als 2 of meer plafondventilators met gelijkstroom op één locatie worden geïnstalleerd

Bij het installeren van twee of meer ventilators naast elkaar, kunt u de ontvanger/zender voor elke ventilatorset een verschillende code geven, zodat de werking van één ventilator niet de werking van de andere ventilator/s stoort.

OPMERKING: Zorg dat de ontvanger **AAN** (ON) is alvorens de zender aan de ontvanger te koppelen.

Koppelen van zender/ontvanger voor plafondventilator 1:

- Zet beide plafondventilators 1 en 2 uit door de hoofdvoeding van de ontvanger uit te schakelen.
- Plaats de 1 x 3V gelijkstroombatterijen in het compartiment. Zorg dat de polariteit van de batterij correct is.
- Schakel de voeding in naar ontvanger 1. Houd ontvanger 2 op UIT (OFF). (Elke plafondventilator moet zijn eigen isolatieschakelaar hebben, zodat alleen de plafondventilator AAN (ON) zal zijn die met de zender moet worden gekoppeld.
- Druk binnen 60 seconden na het schakelen van de voeding naar de ontvanger van plafondventilator 1, gedurende drie seconden op de “” knop van **zender 1**.

De ventilator zal eventjes bewegen en dan stoppen om aan te geven dat het koppelingsproces geactiveerd is. Als de ventilator is voorzien van de lamp, gaat deze eventjes knipperen om aan te geven dat het koppelingsproces geactiveerd is.

- Zet de plafondventilator 1 AAN (ON) en wijzig de snelheid van plafondventilator 1 via de zender en controleer dat deze goed werkt en gekoppeld is.

Instelling van gelijkstroom (DC) voor plafondventilator 2:

- Zet beide plafondventilators 1 en 2 uit door de hoofdvoeding van de ontvanger uit te schakelen.
- Plaats de 1 x 3V gelijkstroombatterijen in het compartiment. Zorg dat de polariteit van de batterij correct is.
- Schakel de voeding in naar ontvanger 2. Houd ontvanger 1 op UIT (OFF). (Elke plafondventilator moet zijn eigen isolatieschakelaar hebben, zodat alleen de plafondventilator AAN (ON) zal zijn die met de zender moet worden gekoppeld.
- Druk binnen 60 seconden na het schakelen van de voeding naar de ontvanger van plafondventilator 2, gedurende drie seconden op de "⏻" knop van **zender 2**.

De ventilator zal eventjes bewegen en dan stoppen om aan te geven dat het koppelingsproces geactiveerd is. Als de ventilator is voorzien van de lamp, gaat deze eventjes knipperen om aan te geven dat het koppelingsproces geactiveerd is.

- Zet de plafondventilator AAN (ON) en wijzig de snelheid van plafondventilator 2 via de zender en controleer dat deze goed werkt en gekoppeld is.

Opmerking: De zender en de ontvanger moeten worden gekoppeld als er slechts één plafondventilator geïnstalleerd is. Als er meer dan twee plafondventilators zijn naast elkaar zijn geïnstalleerd, zie bovenstaande instructies.

Zorg dat de polen van de batterij zich in de juiste richting bevinden.

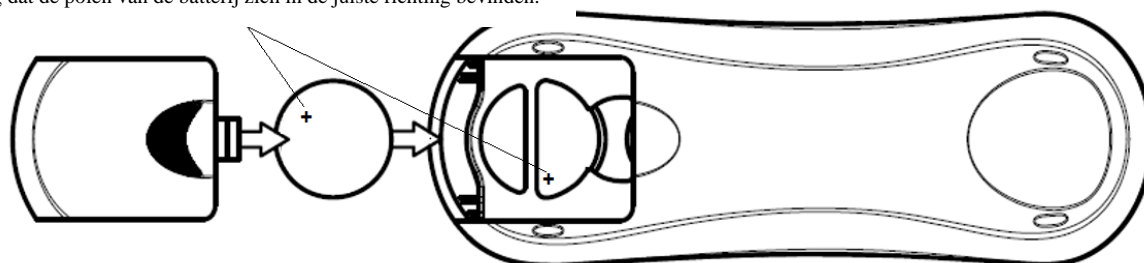


Fig. 11



Afstandsbedieningsknoppen

1 - KNOPSNELHEIDSREGELING VENTILATOR:

Er zijn 6 beschikbare snelheden "I" De knop dient voor de laagste snelheid, en de "VI" knop dient voor de hoogste snelheid.

OPMERKING: ALS U DE VENTILATOR VOOR DE EERSTE KEER INSCHAKELT OF BIJ HET INSCHAKELEN VAN DE STROOM NAAR DE REGELAAR, MOET U DE VENTILATOR EERST INSTELLEN OP HIGH "VI" (HOGE SNELHEID) EN DE SNELHEID VERVOLGENS VERMINDEREN.

ER ZIJN 5-10 SECONDEN NODIG VOORDAT DE DC-VENTILATOR OP DE AFSTANDBEDIENING REAGEERT BIJ HET SELECTEREN VAN DE SNELHEID OF DE DRAAIRICHTING VAN DE VENTILATOR, OMDAT DE DC-VENTILATOR EEN SENSORCONTROLE BEVAT DIE DE STROOM NAAR DE MOTOR REGELT.

2 - KNOPVENTILATOR UIT:

Druk op de knop om de ventilator uit te schakelen

3 - KNOPVOOR OMGEKEERDE WERKING:

Druk op de knop om de werking in omgekeerde richting te activeren. De ventilator moet in werking zijn om de omgekeerde richting te kunnen activeren.

4 - KNOP VOOR DE LICHTREGELING:

Druk op de knop om het licht aan/uit te zetten.

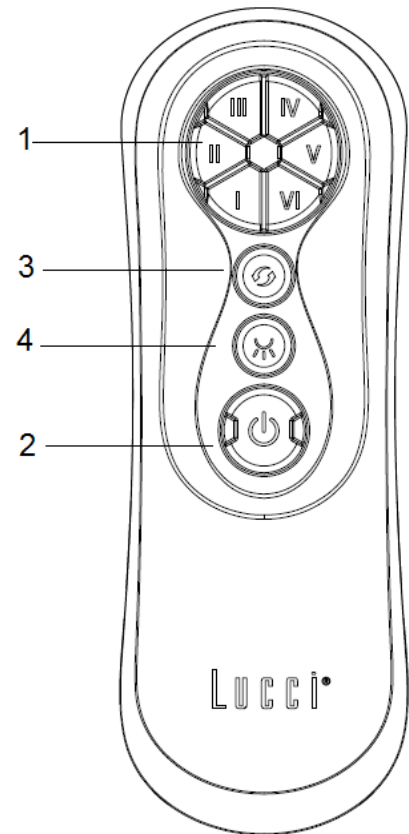


Fig. 12

DE ONTVANGER IS VOORZIEN VAN DE VOLGENDE BESCHERMINGEN TEGEN:

- Vergrendeling van positie: de ontvanger heeft een ingebouwde veiligheidsfunctie om de ventilator tijdens de werking tegen blokkering te beschermen. De motor zal vergrendeld worden zodat hij niet kan werken en zal afgekoppeld worden van het stroomnet na een onderbreking van 30 seconden. Verwijder alle hindernissen voordat u de ventilator opnieuw start. Om de ventilator te resetten, zet u gewoon de stroomvoorziening van de ventilatormotor terug aan en start u de ventilator opnieuw.
- Beveiliging tegen meer dan 80W: als de ontvanger detecteert dat er een stroomverbruik is van meer dan 80W, wordt de stroom naar de ontvanger gestopt en zal de werking onmiddellijk worden onderbroken. Zet de stroom van de ontvanger na 5 seconden terug aan om de ventilator opnieuw te starten.

HERSTELLEN VAN DE VENTILATORONTVANGER & AFSTANDEZENDER


Als de afstands-zender en ontvanger niet meer kunnen worden bestuurd na het installeren, of tijdens het gebruik, moet de koppeling tussen de ontvanger en zender worden hersteld. Hieronder staat een beschrijving van de symptomen en de methode voor het herstellen van de koppeling tussen de afstands-zender van de gelijkstroomplafondventilator en de ontvanger.

Problemen:

Nordic Installation Instructions

- Geen besturing - Ventilator draait alleen maar heel snel na de installatie hiervan
- Geen besturing - Geen omgekeerde functie na de installatie hiervan
- Geen besturing - Afstandszender kan niet met de ontvanger communiceren

Oplossing:

- Schakel de voeding naar de plafondventilator uit.
- Druk binnen 60 seconden na het schakelen van de voeding naar de ontvanger van de plafondventilator, gedurende 3-5 seconden op de “” knop van de **zender**.
- Zet de plafondventilator AAN (ON) en wijzig de snelheid van de plafondventilator via de zender en controleer dat deze goed werkt en gekoppeld is.

NA INSTALLATIE

BEWEGING:

Opmerking: plafondventilatoren hebben de neiging te bewegen wanneer ze in werking zijn doordat ze op een rubberen pakkingsring gemonteerd zijn. Wanneer de ventilator vast aan het plafond zou gemonteerd zijn, zou dit overmatige trillingen veroorzaken. Beweging van enkele centimeters is aanvaardbaar en vormt geen probleem.

OM BEWEGING TE VERMINDEREN: Controleer of alle schroeven voor de montagebeugel en de neerwaartse staaf stevig bevestigd zijn.

BALANS KIT: Een balans kit wordt meegeleverd om de plafondventilator tijdens de initiële installatie in evenwicht te brengen. Lees eerst de instructies aangaande het gebruik van de balans kit. De balans kit kan gebruikt worden om het evenwicht van de plafondventilator, indien nodig, te herstellen. Bewaar de balans kit na de installatie voor later gebruik, indien nodig.

LAWAAI:

Wanneer het stil is (vooral's nachts) kunt u af en toe kleine geluiden horen. Lichte schommelingen in de spanning en frequentiesignalen bovenop de elektriciteit voor warm watercontrole in de daluren, kunnen een verandering veroorzaken in het geluid van de motor van de plafondventilator. Dit is normaal. Houd rekening met een 24-uurs “aanpassings”periode, de meeste geluiden geassocieerd met een nieuwe ventilator verdwijnen binnen deze tijd.

De fabrieksgarantie dekt feitelijke fouten die zich kunnen voordoen maar NIET kleine klachten, zoals het horen van de motor - Alle elektromotoren zijn hoorbaar tot op zekere hoogte.

ONDERHOUD & REINIGING

- Periodieke reiniging an uw plafondventilator is het enige vereiste onderhoud. Gebruik een zachte borstel of pluivrije doek om krassen te voorkomen. Schakel de stroom uit tijdens het reinigen.
- Dompel uw plafondventilator niet in water. De motor en de bladen kunnen schade oplopen en er is risico op een elektrische schok.
- Zorg dat de fitting niet in aanraking komt met organische oplosmiddelen of schoonmaakmiddelen.
- Maak de ventilatorbladen alleen schoon met een vochtige doek en gebruik GEEN organische oplosmiddelen of schoonmaakmiddelen.
- De motor heeft permanent gesmeerde kogellagers. Olie toevoegen is niet nodig.

OPMERKING: Schakel de stroom altijd uit vooraleer uw ventilator te reinigen.

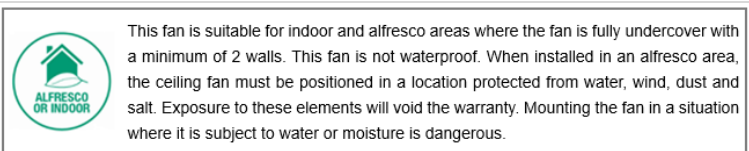


TECHNISCHE INFORMATIE

NORDIC SERIES DC ventilatormodellen	Nominale spanning	Nominaal vermogen (motor)	Nominaal vermogen (Lamp)	Batterij voor afstandsbediening
NORDIC	220-240VAC	35W	LED, 3000K, 20W	1 X 3VDC CR2032

GARANTIE-INFORMATIE

IN AUSTRALIË / NIEUW ZEELAND – Hiervoor verwijzen wij u naar de aparte GARANTIE-INFORMATIE.
IN EUROPA – Als u een Europese klant bent, kunt u, voor garantie, contact opnemen met het verkooppunt waar de ventilator werd aangekocht.



EL

ΣΥΓΧΑΡΗΤΗΡΙΑ ΓΙΑ ΤΗΝ ΑΓΟΡΑ ΣΑΣ

Συγχαρητήρια για την αγορά ενός ανεμιστήρα οροφής τελευταίας τεχνολογίας όσον αφορά την ενεργειακή απόδοση. Ο ανεμιστήρας που αγοράσατε λειτουργεί με συνεχές ρεύμα (DC), έτσι ώστε να παρέχει εξαιρετική ενεργειακή απόδοση και ταυτόχρονα υψηλή ικανότητα διακίνησης αέρα και αθόρυβη λειτουργία.


Ενεργειακή απόδοση - Το μοτέρ DC είναι η τελευταία λέξη της τεχνολογίας στη σχεδίαση των ανεμιστήρων. Είναι ένα μοτέρ υψηλής απόδοσης, που εξοικονομεί έως 65% περισσότερη ενέργεια από τα συμβατικά μοτέρ ανεμιστήρων οροφής εναλλασσόμενου ρεύματος (AC).

Αθόρυβη λειτουργία – Το μοτέρ DC αυτού του ανεμιστήρα είναι προγραμματισμένο ώστε να λειτουργεί με σταθεροποιημένο ρεύμα, για να μειώνεται αποτελεσματικά ο θόρυβος του μοτέρ.

Χαμηλή θερμοκρασία λειτουργίας – Χάρη στην αποτελεσματική διαχείριση του τροφοδοτικού DC, το μοτέρ λειτουργεί σε θερμοκρασία χαμηλότερη από 50°C. Έτσι, το μοτέρ θερμαίνεται πολύ λιγότερο από το μοτέρ ενός συμβατικού ανεμιστήρα AC και έχει μεγαλύτερη διάρκεια ζωής.

Τηλεχειριστήριο 6 ταχυτήτων - Οι συμβατικοί ανεμιστήρες οροφής AC έχουν συνήθως μόνο 3 ταχύτητες, ενώ αυτός ο ανεμιστήρας DC περιλαμβάνει τηλεχειριστήριο 6 ταχυτήτων για περισσότερες επιλογές κλιματισμού.

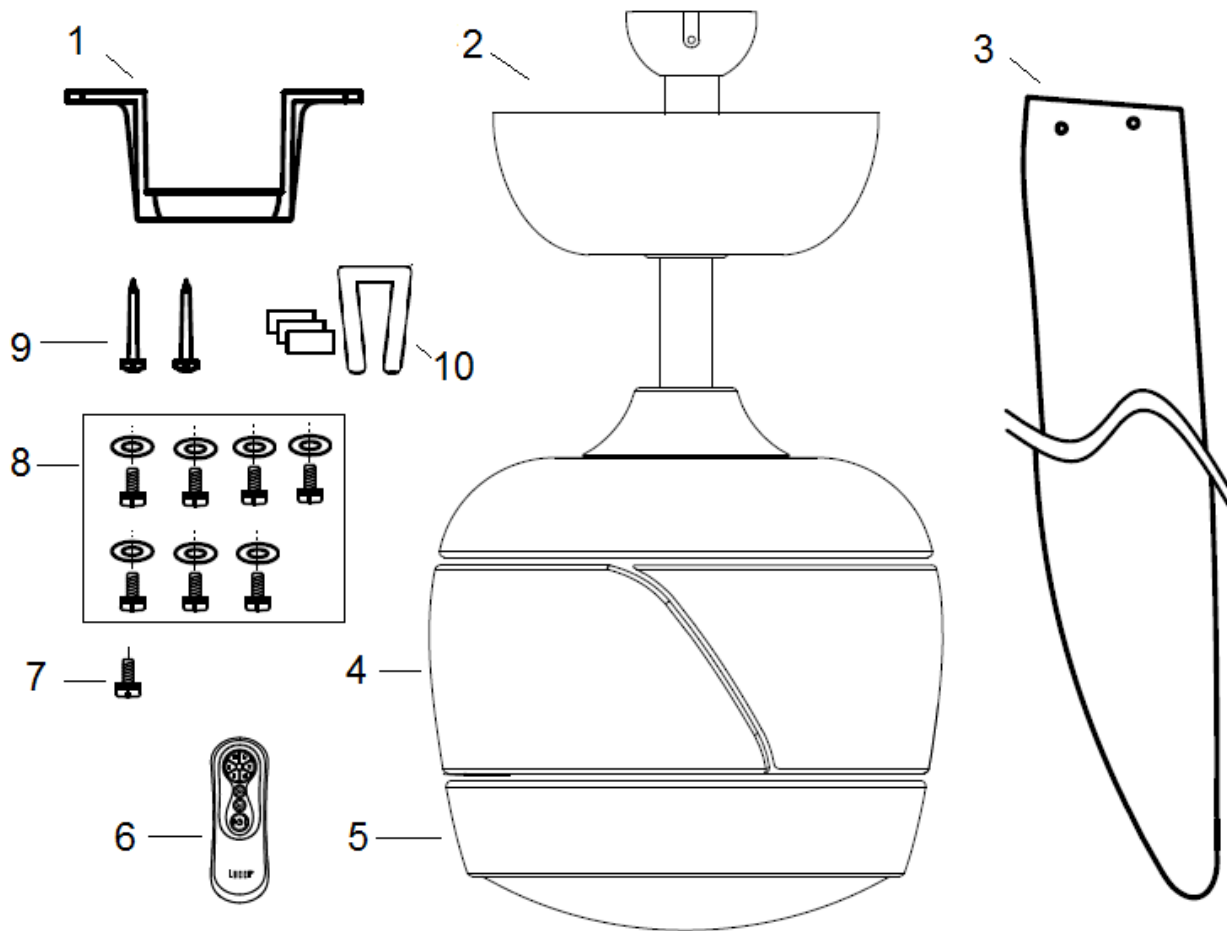
ΠΡΟΦΥΛΑΞΕΙΣ ΑΣΦΑΛΕΙΑΣ

1. Στην Ευρώπη: Αυτή η συσκευή μπορεί να χρησιμοποιηθεί από παιδιά ηλικίας 8 χρονών και πάνω και από άτομα με περιορισμένες σωματικές, αισθητηριακές ή διανοητικές ικανότητες, ή από άτομα με ελλιπή εμπειρία και γνώσεις, εφόσον επιβλέπονται ή έχουν λάβει οδηγίες για την ασφαλή χρήση της συσκευής και κατανοούν τους εμπλεκόμενους κινδύνους. Οι εργασίες καθαρισμού και συντήρησης δεν πρέπει να πραγματοποιούνται από παιδιά χωρίς επίβλεψη.
2. Στην Αυστραλία: Η συσκευή δεν προορίζεται για χρήση από άτομα (περιλαμβανομένων των παιδιών) με περιορισμένες σωματικές, αισθητηριακές ή διανοητικές ικανότητες, ούτε από άτομα που δεν έχουν την εμπειρία ή τις απαραίτητες γνώσεις, εκτός εάν επιβλέπονται ή έχουν λάβει οδηγίες για τη χρήση της συσκευής από άτομο υπεύθυνο για την ασφάλειά τους.
3. Τα παιδιά πρέπει να επιβλέπονται, ώστε να διασφαλίζεται ότι δεν παίζουν με τη συσκευή.
4. Η σταθερή καλωδίωση θα πρέπει να περιλαμβάνει διακόπτη απομόνωσης όλων των αγωγών ρεύματος (φάσεις και ουδέτερο) σύμφωνα τους τοπικούς ηλεκτρολογικούς κανονισμούς.
5.  Οι ηλεκτρικές συσκευές δεν πρέπει να απορρίπτονται ως σύμμεικτα αστικά απορρίμματα. Χρησιμοποιήστε ξεχωριστές εγκαταστάσεις συλλογής απορριμμάτων. Απευθυνθείτε στις τοπικές αρχές για πληροφορίες σχετικά με τα διαθέσιμα συστήματα συλλογής. Η απόρριψη αποβλήτων ηλεκτρικών συσκευών σε χωματερές μπορεί να έχει ως αποτέλεσμα διαρροή επικίνδυνων ουσιών στα υπόγεια ύδατα, οι οποίες μπορεί να περάσουν στην τροφική αλυσίδα και να βλάψουν την υγεία σας.
6. Η κατασκευή πάνω στην οποία θα κρεμαστεί ο ανεμιστήρας θα πρέπει να μπορεί να υποστηρίξει βάρος 30 κιλών.
7. Ο ανεμιστήρας θα πρέπει να τοποθετηθεί με τέτοιο τρόπο, ώστε τα πτερύγια να βρίσκονται τουλάχιστον 2,3 μέτρα πάνω από το δάπεδο για την Ευρώπη, ή τουλάχιστον 2,1 μέτρα πάνω από το δάπεδο για την Αυστραλία.
8. Αυτός ο ανεμιστήρας μπορεί να εγκατασταθεί σε εσωτερικό και σε εξωτερικό χώρο, εφόσον ο ανεμιστήρας καλύπτεται πλήρως από τουλάχιστον 2 τοίχους. Ο ανεμιστήρας δεν είναι αδιάβροχος. Αν εγκατασταθεί σε εξωτερικό χώρο, ο ανεμιστήρας θα πρέπει να είναι προστατευμένος από το νερό, τον αέρα, τη σκόνη και το αλάτι. Αν εκτίθεται σε αυτά τα στοιχεία, η εγγύηση ακυρώνεται. Η εγκατάσταση του ανεμιστήρα σε χώρο εκτεθειμένο σε νερό ή υγρασία είναι επικίνδυνη.
9. Η εγκατάσταση πρέπει να πραγματοποιείται μόνο από πιστοποιημένο ηλεκτρολόγο.



ΛΙΣΤΑ ΕΞΑΡΤΗΜΑΤΩΝ

Αποσυσκευάστε τον ανεμιστήρα και ελέγξτε τα εξαρτήματα που περιέχει η συσκευασία. Θα πρέπει να υπάρχουν τα ακόλουθα:



Εικ. 1

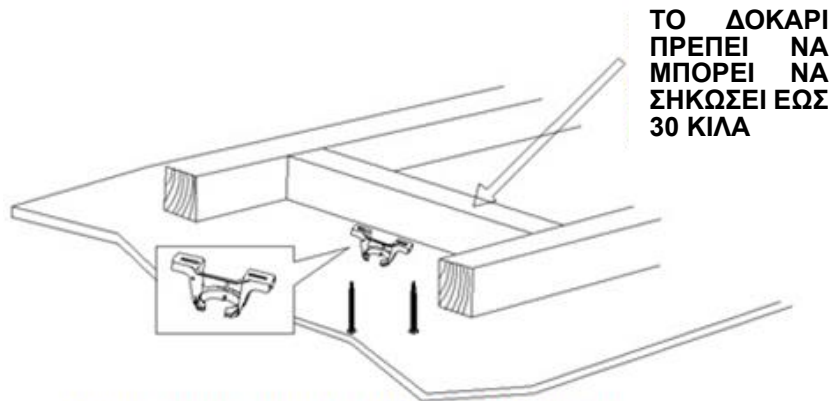
- | | | | |
|---|---|----|---|
| 1 | Στοιχείο ανάρτησης x 1 | 6 | Τηλεχειριστήριο με βάση x 1 σετ |
| 2 | Συναρμολογημένος ανεμιστήρας με κάλυμμα στοιχείου ανάρτησης, κάθετη ράβδο, κάλυμμα πλαφονιέρας και πλαφονιέρα x 1 | 7 | Βίδα μοτέρ x 7 |
| 3 | Πτερύγιο x 3 | 8 | Βίδες πτερυγίων με επίπεδες ροδέλες x 7 |
| 4 | Θήκη πτερυγίου x 3 | 9 | Ξυλόβιδα x 2 |
| 5 | Κάτω κάλυμμα x 1
Σετ φωτιστικού LED x 1 | 10 | Σετ ζυγοστάθμισης x 1 σετ |



ΤΟΠΟΘΕΤΗΣΗ ΤΟΥ ΣΤΟΙΧΕΙΟΥ ΑΝΑΡΤΗΣΗΣ

Ο ανεμιστήρας οροφής θα πρέπει να εγκατασταθεί έτσι ώστε να υπάρχει απόσταση 300 mm από την άκρη των πτερυγίων μέχρι το πλησιέστερο αντικείμενο ή τον πλησιέστερο τοίχο.

Στερεώστε το στοιχείο ανάρτησης σε δοκάρη της οροφής ή άλλη κατασκευή, που να μπορεί να σηκώσει βάρος τουλάχιστον 30 κιλών, με τις δύο μακριές βίδες που παρέχονται. Βεβαιωθείτε ότι τουλάχιστον 30 mm της βίδας έχουν βιδωθεί στην κατασκευή ανάρτησης.



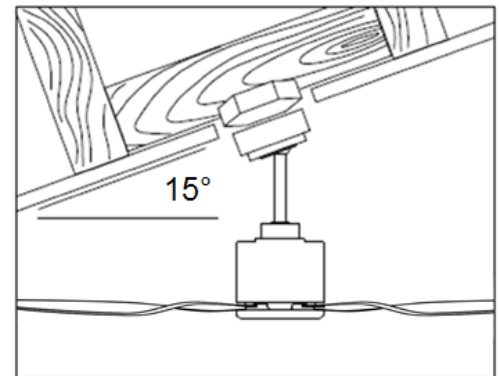
ΣΗΜΕΙΩΣΗ: Η ΕΙΚΟΝΑ ΕΙΝΑΙ ΕΝΔΕΙΚΤΙΚΗ ΚΑΙ ΔΕΝ ΑΠΕΙΚΟΝΙΖΕΙ ΤΟ ΠΡΑΓΜΑΤΙΚΟ ΔΟΚΑΡΙ.

Εικ. 2

ΣΗΜΕΙΩΣΗ: Οι παρεχόμενες βίδες στερέωσης είναι κατάλληλες μόνο για ξύλο. Για κατασκευές από άλλο υλικό, εκτός ξύλου, θα ΠΡΕΠΕΙ να χρησιμοποιηθεί ο κατάλληλος τύπος βίδας.

ΤΟΠΟΘΕΤΗΣΗ ΣΕ ΟΡΟΦΗ ΥΠΟ ΚΛΙΣΗ

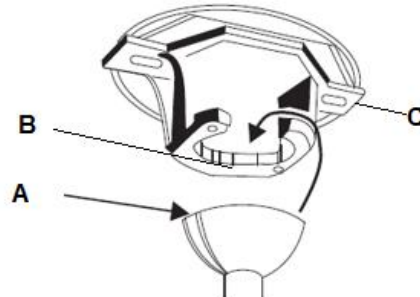
Αυτό το σύστημα ανάρτησης του ανεμιστήρα επιτρέπει την εγκατάσταση του ανεμιστήρα στην οροφή υπό κλίση 15 μοιρών το μέγιστο.



Εικ. 3

ΑΝΑΡΤΗΣΗ ΤΟΥ ΑΝΕΜΙΣΤΗΡΑ

Κρεμάστε το συγκρότημα του ανεμιστήρα στο στοιχείο ανάρτησης. Βεβαιωθείτε ότι η εγκοπή (A) στην πλαφονιέρα είναι ευθυγραμμισμένη με το στοπ (B) στο στοιχείο ανάρτησης (C), ώστε να μην περιστρέφεται ο ανεμιστήρας κατά τη λειτουργία του. (Εικ. 4)



Εικ. 4

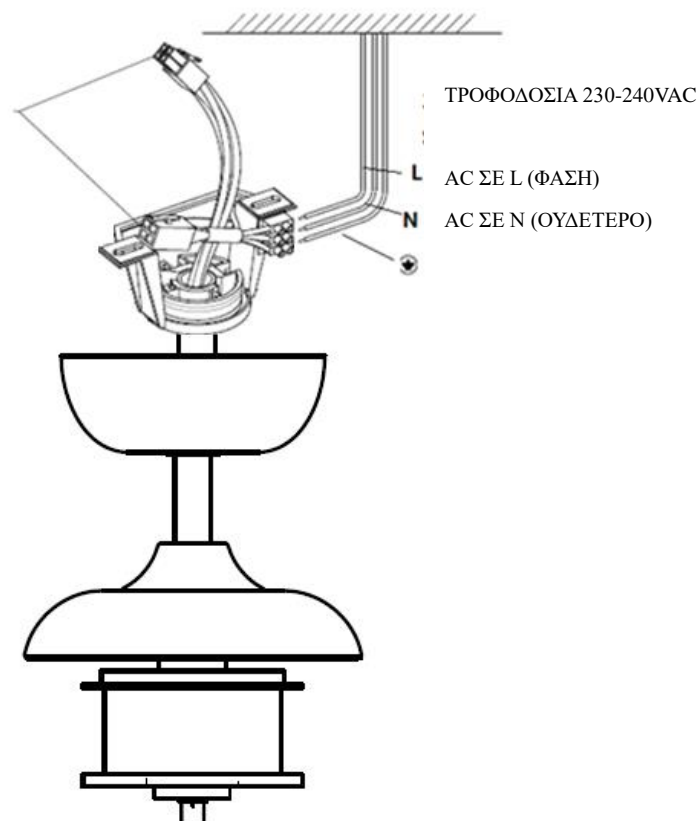
ΗΛΕΚΤΡΟΛΟΓΙΚΟ ΔΙΑΓΡΑΜΜΑ

ΠΡΟΕΙΔΟΠΟΙΗΣΗ: ΓΙΑ ΤΗΝ ΑΣΦΑΛΕΙΑ ΣΑΣ, ΟΛΕΣ ΟΙ ΗΛΕΚΤΡΙΚΕΣ ΣΥΝΔΕΣΕΙΣ ΠΡΕΠΕΙ ΝΑ ΠΡΑΓΜΑΤΟΠΟΙΗΘΟΥΝ ΑΠΟ ΠΙΣΤΟΠΟΙΗΜΕΝΟ ΗΛΕΚΤΡΟΛΟΓΟ.

ΣΗΜΕΙΩΣΗ: Η ΣΤΑΘΕΡΗ ΚΑΛΩΔΙΩΣΗ ΘΑ ΠΡΕΠΕΙ ΝΑ ΠΕΡΙΛΑΜΒΑΝΕΙ ΣΥΜΠΛΗΡΩΜΑΤΙΚΟ ΔΙΑΚΟΠΤΗ ΑΠΟΜΟΝΩΣΗΣ ΟΛΩΝ ΤΩΝ ΑΓΩΓΩΝ ΡΕΥΜΑΤΟΣ (ΦΑΣΕΙΣ ΚΑΙ ΟΥΔΕΤΕΡΟ).

ΣΗΜΕΙΩΣΗ: ΑΝ ΕΓΚΑΤΑΣΤΑΘΟΥΝ ΔΥΟ Ή ΠΕΡΙΣΣΟΤΕΡΟΙ ΑΝΕΜΙΣΤΗΡΕΣ ΟΡΟΦΗΣ DC ΣΤΟΝ ΙΔΙΟ ΧΩΡΟ, ΘΑ ΠΡΕΠΕΙ ΝΑ ΥΠΑΡΧΕΙ ΕΝΑΣ ΜΟΝΟΠΟΛΙΚΟΣ ΔΙΑΚΟΠΤΗΣ ΓΙΑ ΚΑΘΕ ΑΝΕΜΙΣΤΗΡΑ. ΑΥΤΟ ΑΠΑΙΤΕΙΤΑΙ ΚΑΤΑ ΤΟΝ ΠΡΟΓΡΑΜΜΑΤΙΣΜΟ ΤΟΥ ΤΗΛΕΧΕΙΡΙΣΤΗΡΙΟΥ ΚΑΙ ΤΟΥ ΔΕΚΤΗ ΓΙΑ ΣΥΖΕΥΞΗ.

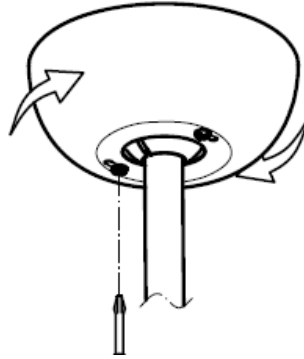
Εικ. 5



ΟΛΟΚΛΗΡΩΣΗ ΤΗΣ ΤΟΠΟΘΕΤΗΣΗΣ

ΤΟΠΟΘΕΤΗΣΗ ΤΗΣ ΠΛΑΦΟΝΙΕΡΑΣ

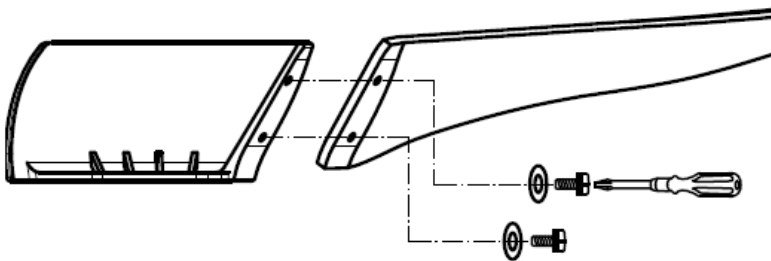
- Χαλαρώστε τις 2 βίδες στο κάτω μέρος του στοιχείου ανάρτησης.
- Περάστε την πλαφονιέρα πάνω στο στοιχείο ανάρτησης και εφαρμόστε την εγκοπή της πλαφονιέρας πάνω από τη βίδα στο στοιχείο ανάρτησης. Περιστρέψτε την πλαφονιέρα μέχρι να ασφαλίσει στο στενό τμήμα των εγκοπών και στερεώστε την σφίγγοντας τις 2 βίδες. Προσέξτε να μην προκαλέσετε ζημιά στα ηλεκτρικά καλώδια που θα έχετε συνδέσει προηγουμένως.



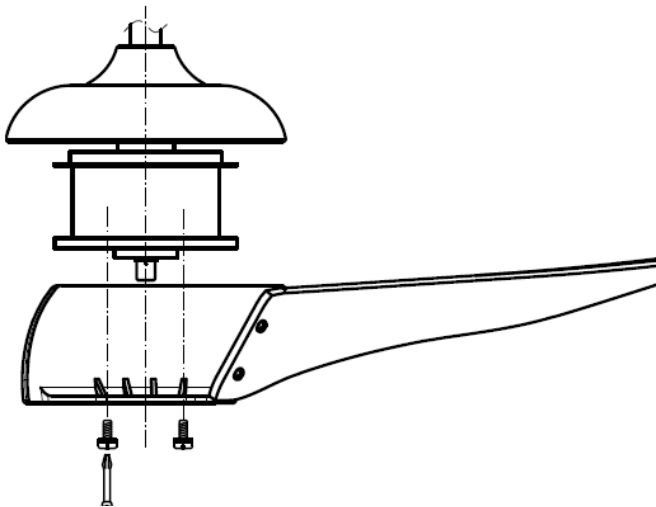
Εικ. 6

ΤΟΠΟΘΕΤΗΣΗ ΤΩΝ ΠΤΕΡΥΓΙΩΝ

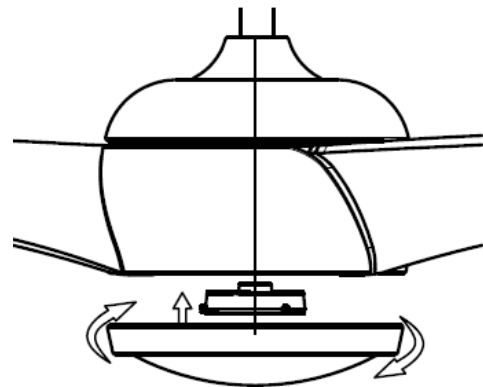
- Χαλαρώστε τις 3 θήκες των πτερυγίων από το μοτέρ.
- Στερεώστε το πτερύγιο στη θήκη, σφίγγοντας τις 2 βίδες με τις ροδέλες. Εικ.7
- Επαναλάβετε τη διαδικασία για να στερεώσετε τα υπόλοιπα πτερύγια στις θήκες.
- Τοποθετήστε τα συναρμολογημένα πτερύγια στο μοτέρ, σφίγγοντας τις 2 βίδες του μοτέρ. Εικ.8
- Τέλος, τοποθετήστε το κάτω κάλυμμα στο στοιχείο συγκράτησης του φωτιστικού, περιστρέφοντάς το δεξιόστροφα. Εικ.9



Εικ. 7



Εικ. 8

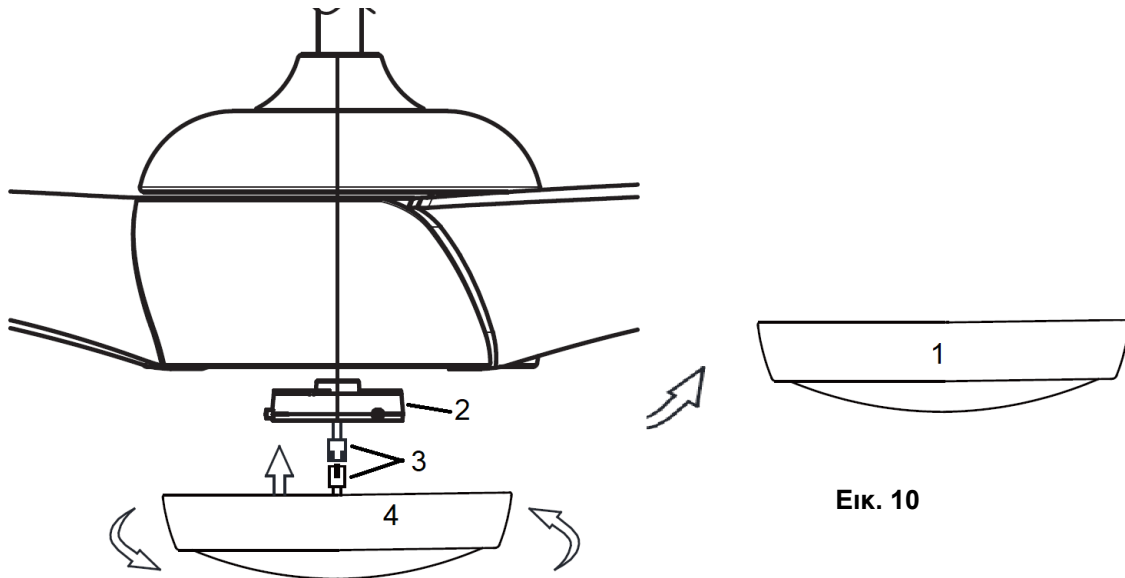


Εικ. 9



ΤΟΠΟΘΕΤΗΣΗ ΤΟΥ ΦΩΤΙΣΤΙΚΟΥ

1. Αφαιρέστε το κάτω κάλυμμα (1) από το σώμα του ανεμιστήρα, περιστρέφοντας αριστερόστροφα.
2. Αφαιρέστε τον θερμοσυρρικνούμενο μονωτικό σωλήνα από τον συνδετήρα 3 στην άκρη του σώματος του ανεμιστήρα.
3. Συνδέστε τους συνδετήρες (3) μεταξύ τους.
4. Συνδέστε το φωτιστικό LED (4) στο στοιχείο συγκράτησης του φωτιστικού (2) και ασφαλίστε το περιστρέφοντας δεξιόστροφα.



Εικ. 10

ΧΡΗΣΗ ΤΟΥ ΑΝΕΜΙΣΤΗΡΑ ΟΡΟΦΗΣ

Σύζευξη τηλεχειριστήριου και δέκτη – αν υπάρχουν 2 ή περισσότεροι ανεμιστήρες οροφής DC στον ίδιο χώρο


Αν υπάρχουν δύο ή περισσότεροι ανεμιστήρες ο ένας κοντά στον άλλον, μπορεί να θέλετε να προγραμματίσετε τον δέκτη/τηλεχειριστήριο κάθε ανεμιστήρα με διαφορετικό κωδικό, έτσι ώστε η λειτουργία του ενός ανεμιστήρα να μην επηρεάζει τη λειτουργία των άλλων.

ΣΗΜΕΙΩΣΗ: Βεβαιωθείτε ότι έχει εγκατασταθεί μονοπολικός διακόπτης αποσύνδεσης στη σταθερή καλωδίωση κάθε ανεμιστήρα.


ΣΗΜΕΙΩΣΗ: Βεβαιωθείτε ότι έχετε ενεργοποιήσει τον δέκτη πριν επιχειρήσετε να συζεύξετε το τηλεχειριστήριο με τον δέκτη.

Σύζευξη τηλεχειριστήριου / δέκτη για ανεμιστήρα οροφής 1:

- Απενεργοποιήστε τους δέκτες και των δύο ανεμιστήρων οροφής 1 και 2.
- Τοποθετήστε την μπαταρία 3V DC στην υποδοχή της. Βεβαιωθείτε ότι οι πόλοι της μπαταρίας είναι προσανατολισμένοι σωστά. Εικ.10
- Ενεργοποιήστε τον δέκτη 1. Κρατήστε τον δέκτη 2 απενεργοποιημένο. (Κάθε ανεμιστήρας πρέπει να έχει ξεχωριστό διακόπτη απομόνωσης, έτσι ώστε να είναι ενεργοποιημένος μόνο ο ανεμιστήρας που πρέπει να συζευχθεί με το τηλεχειριστήριο).

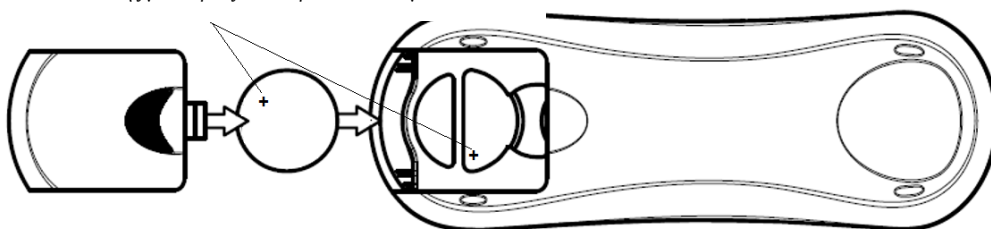
- Πατήστε και κρατήστε το κουμπί «» του **τηλεχειριστηρίου 1** για 3-5 δευτερόλεπτα, μέσα σε διάστημα 60 δευτερολέπτων από τη στιγμή που θα ενεργοποιήσετε τον δέκτη του ανεμιστήρα οροφής 1.
Ο ανεμιστήρας θα κινηθεί ελαφρώς και θα σταματήσει, για να δείξει ότι έχει ενεργοποιηθεί η διαδικασία σύζευξης.
Αν ο ανεμιστήρας διαθέτει φωτιστικό, το φως θα αναβοσβήσει για να δείξει ότι έχει ενεργοποιηθεί η διαδικασία σύζευξης.
- Ενεργοποιήστε και αλλάξτε την ταχύτητα του ανεμιστήρα οροφής 1 από το τηλεχειριστήριο για να ελέγξετε αν λειτουργεί σωστά και αν έχει γίνει σύζευξη.

Σύζευξη τηλεχειριστηρίου / δέκτη για ανεμιστήρα οροφής 2:

- Απενεργοποιήστε τους δέκτες και των δύο ανεμιστήρων οροφής 1 και 2.
- Τοποθετήστε την μπαταρία 3V DC στην υποδοχή της. Βεβαιωθείτε ότι οι πόλοι της μπαταρίας είναι προσανατολισμένοι σωστά. Εικ.10
- Ενεργοποιήστε τον δέκτη 2. Κρατήστε τον δέκτη 1 απενεργοποιημένο. (Κάθε ανεμιστήρας πρέπει να έχει ξεχωριστό διακόπτη απομόνωσης, έτσι ώστε να είναι ενεργοποιημένος μόνο ο ανεμιστήρας που πρέπει να συζευχθεί με το τηλεχειριστήριο).
- Πατήστε και κρατήστε το κουμπί «» του **τηλεχειριστηρίου 2** για 3-5 δευτερόλεπτα, μέσα σε διάστημα 60 δευτερολέπτων από τη στιγμή που θα ενεργοποιήσετε τον δέκτη του ανεμιστήρα οροφής 2.
Ο ανεμιστήρας θα κινηθεί ελαφρώς και θα σταματήσει, για να δείξει ότι έχει ενεργοποιηθεί η διαδικασία σύζευξης.
Αν ο ανεμιστήρας διαθέτει φωτιστικό, το φως θα αναβοσβήσει για να δείξει ότι έχει ενεργοποιηθεί η διαδικασία σύζευξης.
- Ενεργοποιήστε και αλλάξτε την ταχύτητα του ανεμιστήρα οροφής 2 από το τηλεχειριστήριο για να ελέγξετε αν λειτουργεί σωστά και αν έχει γίνει σύζευξη.

Σημείωση: Η σύζευξη τηλεχειριστηρίου και δέκτη πρέπει να πραγματοποιείται όταν έχει εγκατασταθεί μόνο ένας ανεμιστήρας οροφής. Αν έχουν εγκατασταθεί περισσότεροι από δύο ανεμιστήρες οροφής ο ένας κοντά στον άλλον, ανατρέξτε στις οδηγίες παραπάνω.

Βεβαιωθείτε ότι οι πόλοι της μπαταρίας είναι προσανατολισμένοι σωστά.



Εικ. 11

Κουμπιά τηλεχειριστηρίου

1 - ΚΟΥΜΠΙ ΕΛΕΓΧΟΥ ΤΑΧΥΤΗΤΑΣ ΑΝΕΜΙΣΤΗΡΑ:

Υπάρχουν 6 διαθέσιμες ταχύτητες. Το κουμπί «I» είναι για τη χαμηλότερη ταχύτητα και το κουμπί «VI» είναι για την υψηλότερη ταχύτητα.

ΣΗΜΕΙΩΣΗ: όταν θα ενεργοποιήσετε για πρώτη φορά τον ανεμιστήρα και όταν θα ενεργοποιήσετε το τηλεχειριστήριο, θα πρέπει να ξεκινήσετε τον ανεμιστήρα από την ταχύτητα «VI» και μετά να επιλέξετε τη χαμηλότερη ταχύτητα. Απαιτούνται 5-10 δευτερόλεπτα για να ανταποκριθεί ο ανεμιστήρας DC στις επιλογές ταχύτητας ή κατεύθυνσης περιστροφής από το τηλεχειριστήριο.

2 - ΚΟΥΜΠΙ ΑΠΕΝΕΡΓΟΠΟΙΗΣΗΣ ΑΝΕΜΙΣΤΗΡΑ:

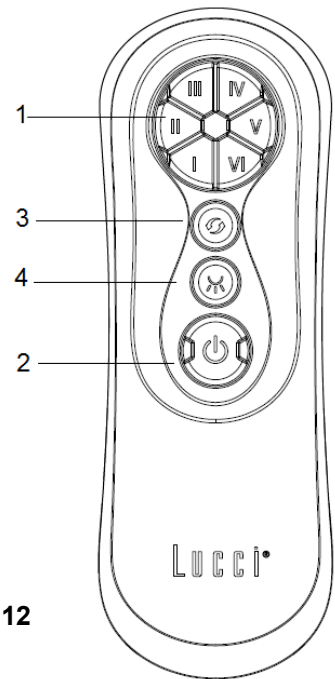
Πατήστε το κουμπί για να σταματήσετε τον ανεμιστήρα.

3 - ΚΟΥΜΠΙ ΑΝΤΙΣΤΡΟΦΗΣ ΛΕΙΤΟΥΡΓΙΑΣ:

Πατήστε το κουμπί για να ενεργοποιήσετε την αντίστροφη λειτουργία. Ο ανεμιστήρας πρέπει να λειτουργεί για να ενεργοποιηθεί η αντίστροφη λειτουργία.

4 - ΚΟΥΜΠΙ ΕΛΕΓΧΟΥ ΦΩΤΙΣΤΙΚΟΥ:

Πατήστε το κουμπί για να αναβοσβήσετε το φως.



Εικ. 12

Ο ΔΕΚΤΗΣ ΠΕΡΙΛΑΜΒΑΝΕΙ ΤΙΣ ΑΚΟΛΟΥΘΕΣ ΔΙΑΤΑΞΕΙΣ ΠΡΟΣΤΑΣΙΑΣ:

- Θέση ασφάλισης: ο δέκτης περιλαμβάνει ενσωματωμένη διάταξη ασφαλείας για προστασία από εμπόδια κατά τη λειτουργία. Το μοτέρ κλειδώνει και αποσυνδέεται από το ρεύμα αν ο ανεμιστήρας σταματήσει να περιστρέφεται για διάστημα πάνω από 30 δευτερόλεπτα. Πριν επανεκκινήσετε τον ανεμιστήρα, απομακρύνετε το εμπόδιο. Για επαναφορά του ανεμιστήρα, απενεργοποιήστε το μοτέρ και μετά επανεκκινήστε το.
- Προστασία έναντι κατανάλωσης πάνω από 80W: αν ο δέκτης ανιχνεύσει κατανάλωση ισχύος πάνω από 80W, ο δέκτης απενεργοποιείται και ο ανεμιστήρας σταματά αμέσως να λειτουργεί. Ενεργοποιήστε ξανά τον δέκτη μετά από 5 δευτερόλεπτα για να επανεκκινηθεί ο ανεμιστήρας.


ΑΠΟΚΑΤΑΣΤΑΣΗ ΤΗΣ ΣΥΖΕΥΞΗΣ ΔΕΚΤΗ ΚΑΙ ΤΗΛΕΧΕΙΡΙΣΤΗΡΙΟΥ

Αν χαθεί ο έλεγχος του δέκτη από το τηλεχειριστήριο μετά την εγκατάσταση ή κατά τη λειτουργία του ανεμιστήρα, θα πρέπει να αποκαταστήσετε τη σύζευξη. Παρακάτω αναφέρονται οι ενδείξεις αποσύζευξης και η μέθοδος αποκατάστασης της σύζευξης ανάμεσα στο τηλεχειριστήριο και τον δέκτη του ανεμιστήρα οροφής DC.

Προβλήματα:

- Απώλεια ελέγχου - Ο ανεμιστήρας λειτουργεί μόνο στην υψηλή ταχύτητα μετά την εγκατάσταση.
- Απώλεια ελέγχου - Ο ανεμιστήρας δεν λειτουργεί αντίστροφα μετά την εγκατάσταση.
- Απώλεια ελέγχου - Το τηλεχειριστήριο δεν επικοινωνεί με τον δέκτη.

Επίλυση:

- Απενεργοποιήστε τον ανεμιστήρα οροφής από τον γενικό διακόπτη για 30 δευτερόλεπτα.
- Πατήστε και κρατήστε το κουμπί «» του τηλεχειριστηρίου για 3-5 δευτερόλεπτα, μέσα σε διάστημα 60 δευτερολέπτων από τη στιγμή που θα ενεργοποιήσετε τον δέκτη του ανεμιστήρα οροφής.
- Ενεργοποιήστε και αλλάξτε την ταχύτητα του ανεμιστήρα οροφής από το τηλεχειριστήριο για να ελέγξετε αν λειτουργεί σωστά και αν έχει γίνει σωστά η σύζευξη.

ΜΕΤΑ ΤΗΝ ΤΟΠΟΘΕΤΗΣΗ

ΚΛΥΔΩΝΙΣΜΟΣ:

ΣΗΜΕΙΩΣΗ: οι ανεμιστήρες οροφής ταλαντεύονται κατά τη λειτουργία επειδή είναι στερεωμένοι πάνω σε ελαστικές ροδέλες. Αν ο ανεμιστήρας ήταν στερεωμένος σε άκαμπτα στοιχεία στην οροφή, θα προκαλούσαν υπερβολικοί κραδασμοί. Η ταλάντευση κατά λίγα εκατοστά είναι αποδεκτή και ΔΕΝ συνιστά πρόβλημα.

ΓΙΑ ΝΑ ΠΕΡΙΟΡΙΣΕΤΕ ΤΗΝ ΤΑΛΑΝΤΕΥΣΗ ΤΟΥ ΑΝΕΜΙΣΤΗΡΑ: βεβαιωθείτε ότι όλες οι βίδες που συγκρατούν το στοιχείο ανάρτησης και την κάθετη ράβδο είναι σφιγμένες καλά.

ΣΕΤ ΖΥΓΟΣΤΑΘΜΙΣΗΣ: Παρέχεται ένα σετ για τη ζυγοστάθμιση του ανεμιστήρα οροφής κατά την αρχική εγκατάσταση. Ανατρέξτε στις οδηγίες για να μάθετε πώς χρησιμοποιείται το σετ ζυγοστάθμισης. Μπορείτε να χρησιμοποιήσετε το σετ ζυγοστάθμισης για να ρυθμίσετε ξανά τον ανεμιστήρα, αν αρχίσει πάλι να ταλαντεύεται. Μετά την εγκατάσταση, φυλάξτε το κιτ ζυγοστάθμισης για μελλοντική χρήση.

ΘΟΡΥΒΟΣ:

Όταν επικρατεί ησυχία (ιδιαίτερα τη νύχτα), μπορεί να ακούτε σποραδικά μικρούς ήχους. Μικρές διακυμάνσεις στην ένταση του ρεύματος και παρεμβολές σημάτων συχνότητας στο ηλεκτρικό κύκλωμα μπορεί να προκαλέσουν διαφορετικούς θορύβους από το μοτέρ του ανεμιστήρα. Αυτό είναι φυσιολογικό. Περιμένετε ένα 24ωρο για να εξομαλυνθεί η λειτουργία του ανεμιστήρα. Οι περισσότεροι θόρυβοι που ακούγονται όταν λειτουργεί πρώτη φορά ο ανεμιστήρας σταματούν στη συνέχεια. Όλοι οι ηλεκτροκινητήρες κάνουν κάποιο θόρυβο. Αυτό δεν είναι ελάττωμα του προϊόντος και συνεπώς δεν καλύπτεται από την εγγύηση.

ΦΡΟΝΤΙΔΑ ΚΑΙ ΚΑΘΑΡΙΣΜΟΣ:

- Η μόνη συντήρηση που απαιτεί ο ανεμιστήρας οροφής είναι ο περιοδικός καθαρισμός. Χρησιμοποιήστε μια μαλακή βούρτσα ή ένα πανί που δεν αφήνει χνούδι για να μη χαράξετε τη βαφή. Κλείνετε το διακόπτη ηλεκτρικής τροφοδοσίας κατά τον καθαρισμό.
- Μη βυθίζετε τον ανεμιστήρα οροφής σε νερό. Μπορεί να προκληθεί ζημιά στο μοτέρ ή στα πτερύγια και αυξάνεται ο κίνδυνος ηλεκτροπληξίας.
- Προσέξτε να μην έρθει σε επαφή με οργανικούς διαλύτες ή καθαριστικά το στοιχείο ανάρτησης.
- Για να καθαρίσετε τα πτερύγια του ανεμιστήρα, σκουπίστε τα μόνο με ένα υγρό καθαρό πανί, χωρίς οργανικούς διαλύτες ή καθαριστικά.
- Το μοτέρ περιλαμβάνει σφαιρικό έδρανο μόνιμης λίπανσης, οπότε δεν απαιτεί λίπανση.

ΣΗΜΕΙΩΣΗ: Κλείνετε πάντα τον κεντρικό ηλεκτρικό διακόπτη πριν επιχειρήσετε να καθαρίσετε τον ανεμιστήρα.

ΤΕΧΝΙΚΕΣ ΠΛΗΡΟΦΟΡΙΕΣ

Μοντέλα ΑΝΕΜΙΣΤΗΡΑ	Ονομαστική τάση	Ονομαστική ισχύς (μοτέρ)	Ονομαστική ισχύς (Φωτιστικό)	Μπαταρία τηλεχειριστηρίου
Nordic FAN	220-240VAC	35W	LED, 3000K, 20W	3V, CR2032

ΠΛΗΡΟΦΟΡΙΕΣ ΓΙΑ ΤΗΝ ΕΓΓΥΗΣΗ

ΣΤΗΝ ΑΥΣΤΡΑΛΙΑ / ΝΕΑ ΖΗΛΑΝΔΙΑ – Ανατρέξτε στην ξεχωριστή ΔΗΛΩΣΗ ΕΓΓΥΗΣΗΣ.

ΣΤΗΝ ΕΥΡΩΠΗ – Αν είστε πελάτης από την Ευρώπη, απευθυνθείτε στο κατάστημα λιανικής απ' όπου αγοράσατε τον ανεμιστήρα, για σέρβις στο πλαίσιο της εγγύησης.