

LUCCI AIRLIE HUGGER CEILING FAN

- **INSTALLATION**
- **OPERATION**
- **MAINTENANCE**
- **WARRANTY INFORMATION**

CAUTION

**READ INSTRUCTIONS CAREFULLY FOR SAFE
INSTALLATION AND FAN OPERATION.**

THANK YOU FOR PURCHASING

Thank you for purchasing this quality Lucci product. To ensure correct function and safety, please read and save all instructions before using the product.

SAFETY PRECAUTIONS

The information contained in the following pages has been prepared to ensure you of trouble-free operation of your ceiling fan.

1. In Europe: This appliance can be used by children aged from 8 years and above and persons with reduced physical, sensory or mental capabilities or lack of experience and knowledge if they have been given supervision or instruction concerning use of the appliance in a safe way and understand the hazards involved. Cleaning and maintenance shall not be undertaken by children without supervision.
2. In Australia: The appliance is not intended for use by persons (including children) with reduced physical, sensory or mental capabilities, or lack of experience and knowledge, unless they have been given supervision or instruction concerning use of the appliance by a person responsible for their safety.
3. Children should be supervised to ensure that they do not play with the appliance.
4. An all-pole disconnection switch must be incorporated into the fixed wiring, in accordance with local wiring rules.

IN AUSTRALIA

WARNING:

**FOR SAFE USE OF THIS FAN AN ALL-POLE DISCONNECTION
MUST BE INCORPORATED INTO THE FIXED WIRING IN
ACCORDANCE WITH THE WIRING RULES.**

As outline in clause 7.12.2 of AS/NZS 60335-1 for meeting the minimum electrical safety of this standard.

Please note warranty will be void if installation is without a means for an all-pole disconnection incorporated in the fixed wiring in accordance with the wiring rules.


Example: If a fan is connected to a circuit that can be isolated via an



all-pole safety switch at the switchboard, then this is considered to be an all-pole disconnection to the ceiling fan electrical circuit, meeting the requirements of clause 7.12.2 of AS/NZS 60335.1.

A single-pole switch on the active of the receiver input of remote control must also be included in the wiring, and located the same room as the ceiling fan.



5.  Do not dispose of electrical appliances as unsorted municipal waste, use separate collection facilities. Contact your local government for information regarding the collection systems available. If electrical appliances are disposed of in landfills or dumps, hazardous substances can leak into the groundwater and get into the food chain, damaging your health and well-being.
6. The structure to which the fan is to be mounted must be capable of supporting a weight of 30kg.
7. The fan should be mounted so that the blades are at least 2.3 metres above the floor in Europe or 2.1 metres above the floor in Australia.
8. This fan is designed for indoor use only. Mounting the fan in a location where it is subject to water or moisture is dangerous and will void the warranty.
9. Only a licensed electrician should execute the installation.
10. WARNING: If unusual oscillating movement is observed, immediately stop using the ceiling fan and contact the manufacturer, its service agent or suitably qualified persons.
11. The replacement of parts of the safety suspension system device shall be performed by the manufacturer, its service agent or suitably qualified persons.
12. The fixing means for attachment to the ceiling such as hooks or other devices shall be fixed with a sufficient strength to withstand 4 times the weight of the ceiling fan; that the mounting of the suspension system shall be performed by the manufacturer, its service agent or suitably qualified persons.



BEFORE INSTALLATION

Unpack the fan and carefully identify the parts. Please refer to Fig 1.

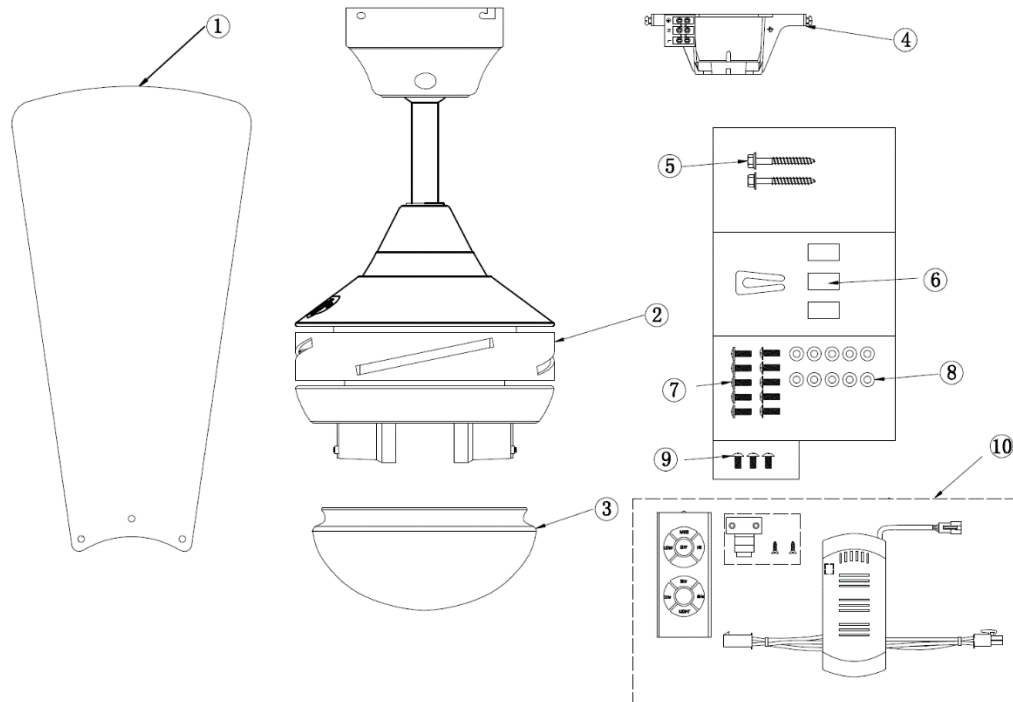


Fig. 1

1. Blades x 3
2. Pre-assembled Fan motor, down rod, and canopy x 1
3. Glass shade x 1
4. Mounting Bracket x 1
5. Wooden screws for mounting bracket x 2
6. Balancing kits x 1 set
7. Blade screw x 10
8. Flat washer x 10
9. Screw for close to ceiling installation x 3
8. Remote control x 1 set



INSTALLING THE MOUNTING BRACKET

- The ceiling fan must be installed in a location so that the blades are a minimum 300mm spacing from the tip of the blade to the nearest objects or walls.
- Secure the mounting bracket to the ceiling joist or structure that is capable of carrying a load of at least 30kg, with the two long screws provided. Ensure at least 30mm of the screw is threaded into the support.

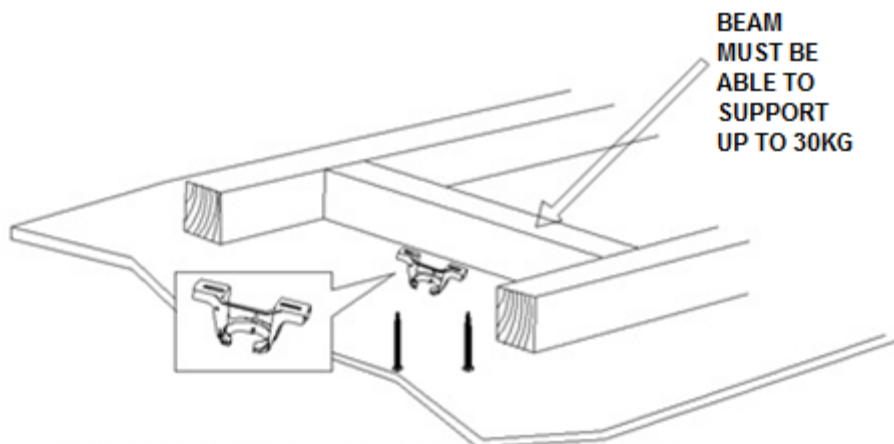


Fig. 2

NOTE: THIS PICTURE IS FOR REPRESENTATION ONLY AND DOES NOT REPRESENT THE ACTUAL BRACKET

NOTE: The bracket screws provided are for use with wooden structures only. For structures other than wood, the appropriate screw type MUST be used.

Angled Ceiling Installation

This fan hanging system supports a maximum 15 degree angled ceiling installation.

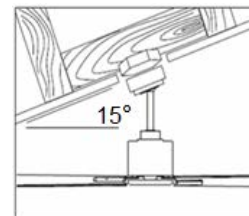


Fig. 3

Closed to Ceiling Installation

Loosen the set screws (A) to remove the ball joint, canopy and coupling cover; loosen the set screws (B), and then remove the pin, bolt and down rod.

Attach the canopy (C) to the fan body (E), and secure it by 3 screws (D) supplied with the fan in the accessory bag.

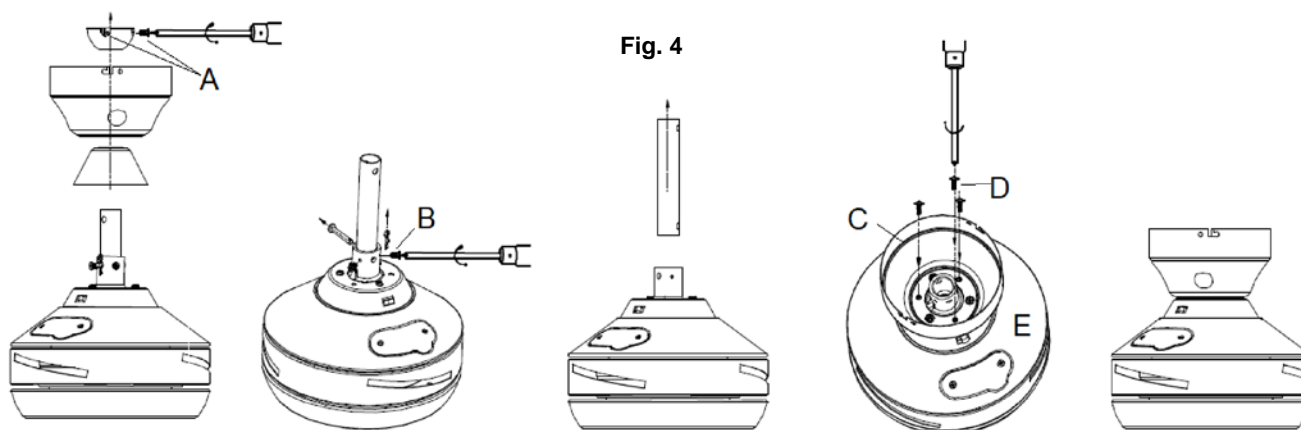


Fig. 4



BLADE INSTALLATION

BLADE ATTACHMENT (Fig. 5)

1. Remove the two screws (1) from the covering plate (2) on the top of the motor housing, and remove the plate.
2. Insert the blade (4) into the square slot of the motor.
3. Secure the blade on the bracket by using 3 motor screws (3), ensuring that the 3 blades screws are tightened evenly.
4. Once completed, repeat the process on the remaining blades.
5. Replace the covering plate on top of the motor housing.

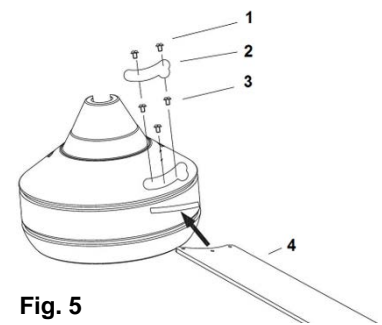


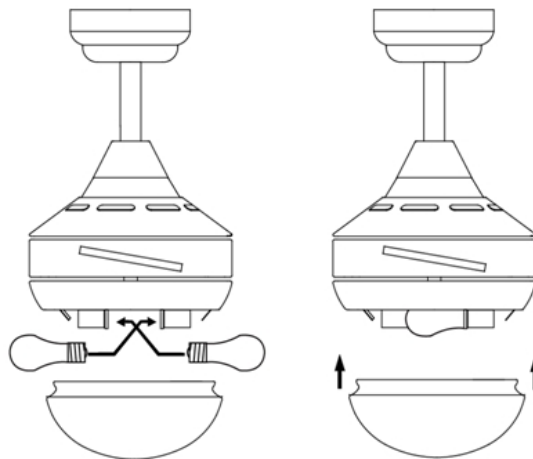
Fig. 5

LIGHT KIT INSTALLATION (Fig. 6)

NOTE: FOR FAN MODELS WITHOUT LIGHT, DISREGARD THIS INSTALLATION PROCESS.

1. Install the bulbs (Max. 15W Energy saving bulbs, CFL spiral or LED bulb only, not included).
2. Lift and attach the glass to the base and secure it by using three spring clips.

Fig. 6



HANGING THE FAN

Fan with down rod

Lift the fan assembly onto the mounting bracket. Ensure the registration slot (A) of the hanger ball is positioned on the stopper (B) of the mounting bracket (C) to prevent the fan from rotating when in operation.

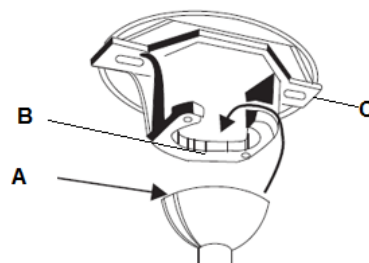


Fig. 7



Close to ceiling

Lift up the fan assembly and ensure the round hole (B) of the canopy is positioned into the hook (A) of the mounting bracket.

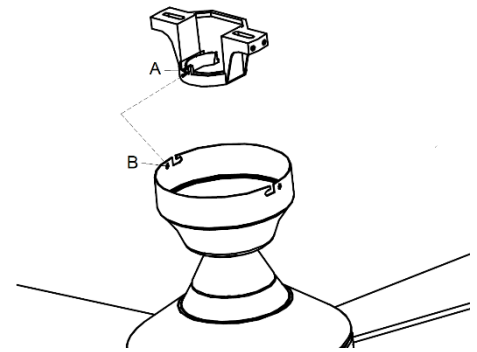


Fig. 8

ELECTRICAL WIRING DIAGRAM

WARNING: FOR YOUR SAFETY ALL ELECTRICAL CONNECTIONS MUST BE UNDERTAKEN BY A LICENSED ELECTRICIAN.

NOTE: AN ADDITIONAL ALL POLE DISCONNECTION SWITCH MUST BE INCLUDED IN THE FIXED WIRING.

- Connect “LIVE” supply wire to the “L” of terminal block on the mounting bracket.
- Connect “NEUTRAL” supply wire to the “N” of terminal block on the mounting bracket.
- Connect “EARTH” wire to the “⊕” of terminal block on the mounting bracket.
- Connect the output connector (1) from the receiver to the connector (1) from the fan body.
- Connect the connector (2) from the fan mounting bracket to the input connector (2) from the receiver.
- Connect the connector (3) from from the infrared detector to the input connector (3) from receiver.

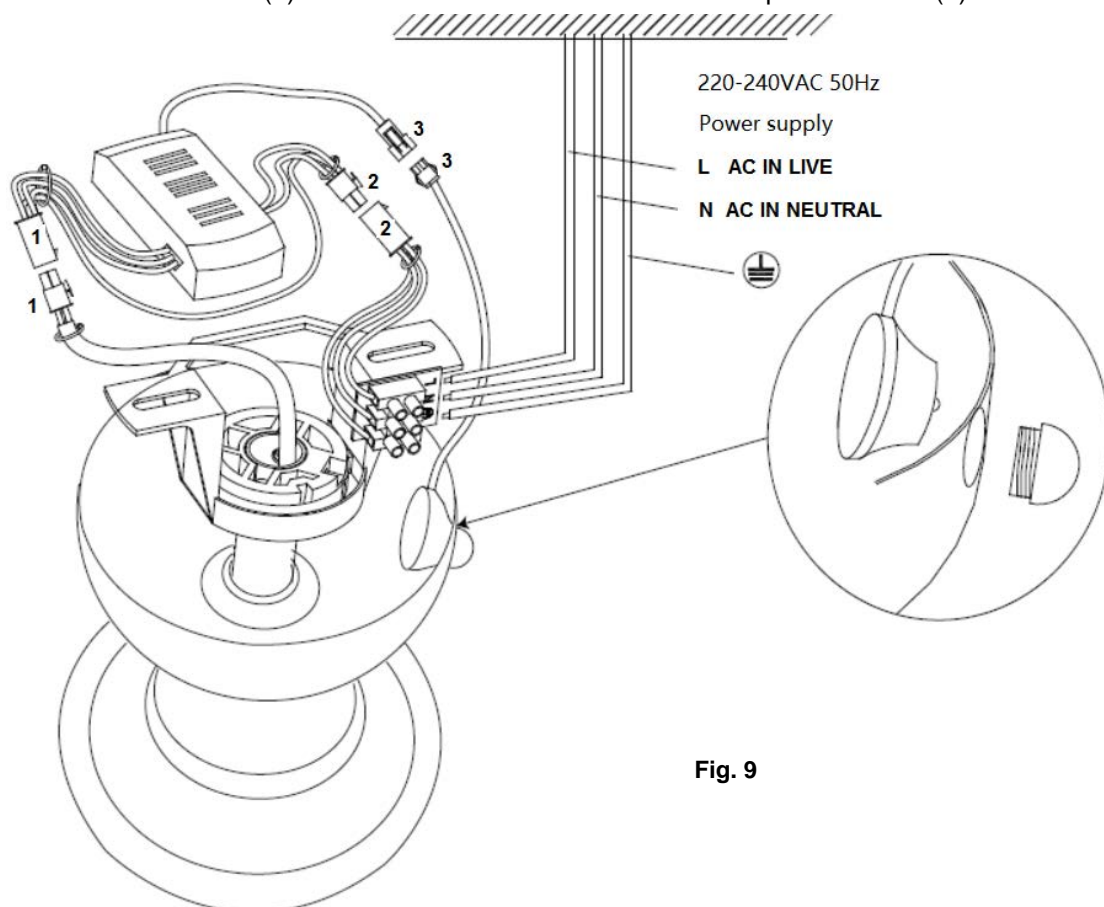


Fig. 9



FINISHING THE INSTALLATION

Cover the mounting bracket with the canopy. Ensure all electrical wiring is tucked inside the canopy and that the wires are not damaged during this step. Secure the canopy to the hanger bracket using the screws provided.

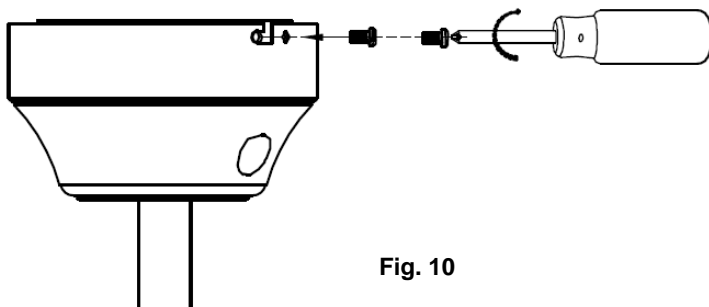
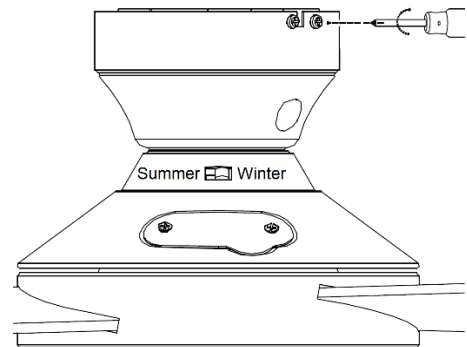


Fig. 10



USING YOUR CEILING FAN

REMOTE CONTROL

Your ceiling fan is controlled by the remote control. Before operating the remote, the following must be considered.

- 1 x CR2032 3V battery is required to operate the remote control. Pull out the battery tray (2) by pressing the click (1) of the battery tray. Place the battery (3) on the tray and insert the tray back to remote hand set (4) indicated by "+" polarity symbol (5). Ensure the polarity is correct as shown in the battery compartment.

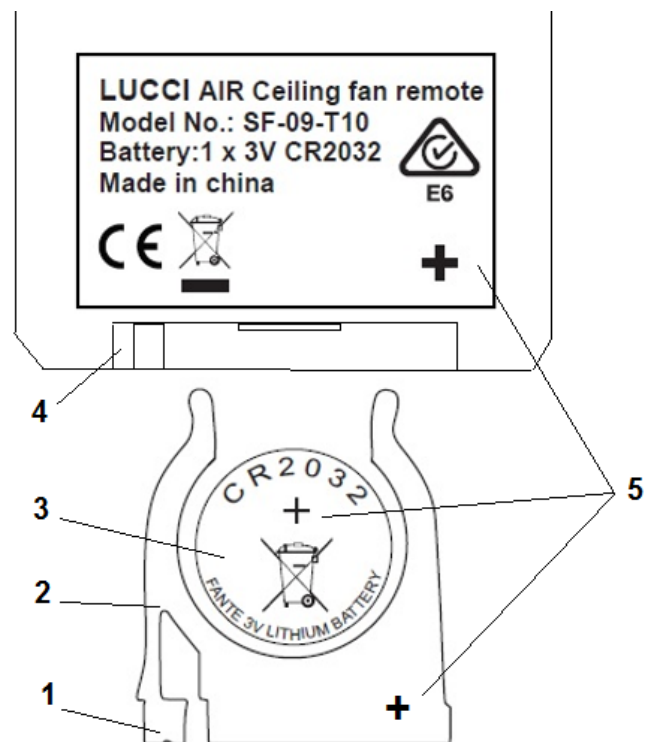


Fig. 11



OPERATING THE REMOTE:

Before you start using the remote, take the time to read through this section and get familiar with the buttons and function of each button.

1. **IR TRANSMITTER**
2. **HI** button: Press the button to set fan running at High speed.
3. **MED** button: Press the button to set fan running at Medium speed.
4. **LOW** button: Press the button to set fan running at Low speed.
5. **OFF** button: Press the button to turn OFF the fan.
- 6 / 7 / 8. **1Hr / 3 Hr / 6Hr** fan timer button: Press the button to activate the fan timer function, the fan will turn off after running 1 hour / 3 hours / 6 hours.
9. **LIGHT** button: Press the button to turn ON/ OFF the light.

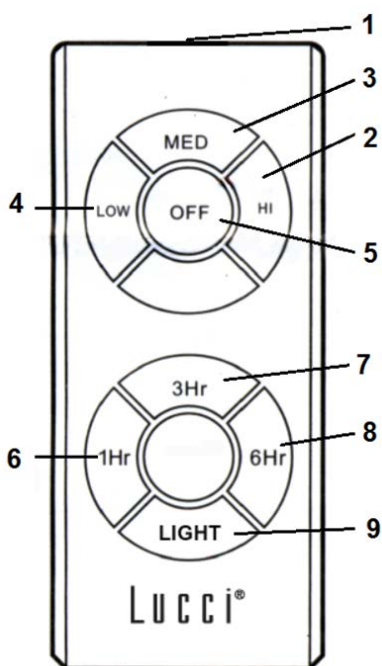


Fig. 12

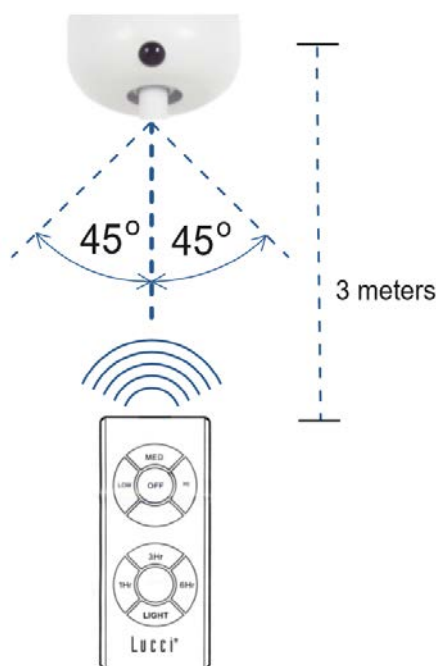


Fig. 13

The remote has memory function. If the fan or light is turned off by the isolating switch, it will memorise and recover the last status when turned on next.

Effective distance/location for IR remote control (Fig. 13)

Left from center-line: Approximately 45 degrees

Right from center-line: Approximately 45 degrees

Distance from remote control to receiver: 5 meters max.



REVERSE FUNCTION

Your ceiling fan can operate either in fan mode or reverse fan mode.

SUMMER Mode: The reverse switch should be in the “down” (SUMMER) position to make the fan rotate in the anticlockwise direction. The airflow will be directed downwards, for cooling in summer.

WINTER Mode: The reverse switch should be in the “up” (WINTER) position to make the fan rotate in clockwise direction. The airflow will be directed upwards, for energy conservation in winter.

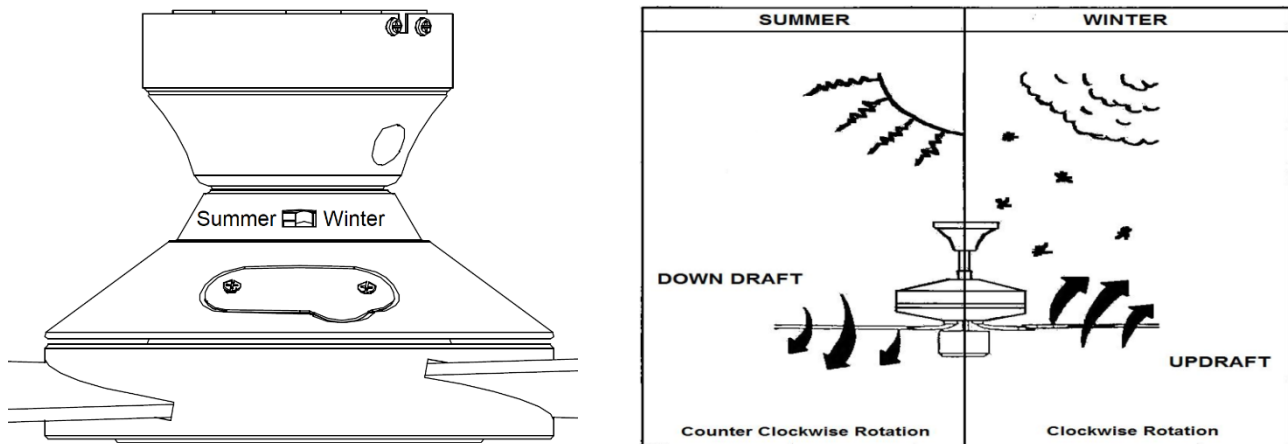


Fig. 14

AFTER INSTALLATION

WOBBLE:

NOTE: ceiling fans tend to move during operation due to the fact that they are mounted on a rubber grommet. If the fan was mounted rigidly to the ceiling it would cause excessive vibration. Movement of a few centimetres is quite acceptable and DOES NOT suggest any problem.

TO REDUCE THE FAN WOBBLE: Please check that all screws which fix the mounting bracket and down rod are secure.

BALANCING KIT: A balancing kit is provided to balance the ceiling fan on initial installation. Please refer to the instruction on how to use the balancing kit. The balancing kit can be used to assist re-balancing should the ceiling fan become un-balanced again. Store your balancing kit away after installation for future use if required.

NOISE:

When it is quiet (especially at night) you may hear occasional small noises. Slight power fluctuations and frequency signals superimposed in the electricity for off-peak hot water control, may cause a change in fan motor noise. This is normal. Please allow a 24-hour “settling-in” period, most noises associated with a new fan disappear during this time.

The manufacturer’s warranty covers actual faults that may develop and NOT minor complaints such as hearing



the motor run – All electric motors are audible to some extent.

CARE AND CLEANING:

- Every 6 months periodic cleaning of your ceiling fan is the only maintenance required. Use a soft brush or lint free cloth to avoid scratching the paint finish. Please turn off electricity power when you do so.
- Do not immerse your ceiling fan in the water. It could damage the motor or the blades and create the possibility of an electrical shock.
- Ensure that the fitting does not come in contact with any organic solvents or cleaners.
- To clean the fan blade, wipe with only a damp clean cloth with NO organic solvents or cleaners.
- The motor has a permanently lubricated ball bearing so there is no need to oil.

NOTE: Always turn OFF the power at the mains switch before attempting to clean your fan.

TECHNICAL INFORMATION

Fan Models	36" fan with light
Rated Voltage	220-240V~ 50Hz
Rated Wattage (Motor)	45W
Rated wattage (Lamp)	2 X MAX.15W CFL Spiral or LED Bulbs, E27, not included
Weight	5.4kg
Canopy Dimensions	H:75mm Dia:130mm

WARRANTY INFORMATION

IN AUSTRALIA / NEW ZEALAND – Please refer to the separated WARRANTY STATEMENT.

IN EUROPE – If you are a European customer please contact the retail outlet where the fan was purchased for warranty service.

